

TEAC[®]

SERVICE MANUAL

CTF6890

68 CM CTV

TEAC

SERVICE MANUAL



CT-F6890S

1. Caution.....	2
2. Specification.....	6
3. BOM List	13
4. Alignment Procedure.....	56
5. Block Diagram.....	62
6. Schematic Diagram.....	63
7. PCB Layout.....	64
8. Exploded View Diagram.....	65

This manual is the latest at the time of printing, and does not include the modification which may be made after the printing, by the constant improvement of product.

CAUTION:

Use of controls, adjustments or procedures other than those specified herein may result in hazardous radiation exposure.



CAUTION
RISK OF ELECTRIC SHOCK DO NOT OPEN.



CAUTION: TO REDUCE THE RISK OF ELECTRICAL SHOCK, DO NOT REMOVE COVER (OR BACK). NO USER SERVICEABLE PARTS INSIDE. REFER SERVICING TO QUALIFIED SERVICE PERSONNEL.



The lightning flash with arrowhead symbol, with an equilateral triangle is intended to alert the user to the presence of uninsulated “dangerous voltage” within the product’s enclosure that may be of sufficient magnitude to constitute a risk of electric shock to the person.



The exclamation point within an equilateral triangle is intended to alert the user to the presence of important operating and maintenance (servicing) instructions in the literature accompanying the appliance.

WARNING: TO REDUCE RISK OF FIRE OR ELECTRIC SHOCK, DO NOT EXPOSE THIS APPLIANCE TO RAIN OR MOISTURE.

IMPORTANT SAFETY INSTRUCTIONS

CAUTION:

Read all of these instructions. Save these instructions for later use. Follow all Warnings and Instructions marked on the audio equipment.

1. Read Instructions- All the safety and operating instructions should be read before the product is operated.
2. Retain Instructions- The safety and operating instructions should be retained for future reference.
3. Heed Warnings- All warnings on the product and in the operating instructions should be adhered to.
4. Follow Instructions- All operating and use instructions should be followed.

FOR YOUR PERSONAL SAFETY

1. When the power cord or plug is damaged or frayed, unplug this television set from the wall outlet and refer servicing to qualified service personnel.
2. Do not overload wall outlets and extension cords as this can result in fire or electric shock.
3. Do not allow anything to rest on or roll over the power cord, and do not place the TV where power cord is subject to traffic or abuse. This may result in a shock or fire hazard.
4. Do not attempt to service this television set yourself as opening or removing covers may expose you to dangerous voltage or other hazards. Refer all servicing to qualified service personnel.
5. Never push objects of any kind into this television set through cabinet slots as they may touch dangerous voltage points or short out parts that could result in a fire or electric shock. Never spill liquid of any kind on the television set.
6. If the television set has been dropped or the cabinet has been damaged, unplug this television set from the wall outlet and refer servicing to qualified service personnel.
7. If liquid has been spilled into the television set, unplug this television set from the wall outlet and refer servicing to qualified service personnel.
8. Do not subject your television set to impact of any kind. Be particularly careful not to damage the picture tube surface.
9. Unplug this television set from the wall outlet before cleaning. Do not use liquid cleaners or aerosol cleaners. Use a damp cloth for cleaning.
- 10.1. Do not place this television set on an unstable cart, stand, or table. The television set may fall, causing serious injury to a child or an adult, and serious damage to the appliance. Use only with a cart or stand recommended by the manufacturer, or sold with the television set. Wall or shelf mounting should follow the manufacturer's instructions, and should use a mounting kit approved by the manufacturer.
- 10.2. An appliance and cart combination should be moved with care. Quick stops, excessive force, and uneven surfaces may cause the appliance and cart combination to overturn.



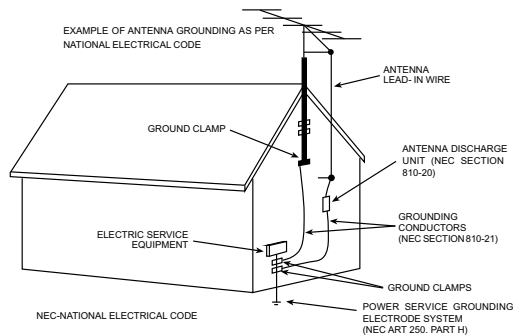
PROTECTION AND LOCATION OF YOUR SET

11.
 - Do not use this television set near water ... for example, near a bathtub, washbowl, kitchen sink, or laundry tub, in a wet basement, or near a swimming pool, etc.
 - Never expose the set to rain or water. If the set has been exposed to rain or water, unplug the set from the wall outlet and refer servicing to qualified service personnel.
12. Choose a place where light (artificial or sunlight) does not shine directly on the screen.
13. Avoid dusty places, since piling up of dust inside TV chassis may cause failure of the set when high humidity persists.
14. The set has slots, or openings in the cabinet for ventilation purposes, to provide reliable operation of the receiver, to protect it from overheating. These openings must not be blocked or covered.
 - Never cover the slots or openings with cloth or other material.
 - Never block the bottom ventilation slots of the set by placing it on a bed, sofa, rug, etc.
 - Never place the set near or over a radiator or heat register.
 - Never place the set in a "built-in" enclosure, unless proper ventilation is provided.

PROTECTION AND LOCATION OF YOUR SET

- 15.1. If an outside antenna is connected to the television set, be sure the antenna system is grounded so as to provide some protection against voltage surges and built up static charges, Section 810 of the National Electrical Code, NFPA No. 70-1975, provides information with respect to proper grounding of the mast and supporting structure, grounding of the lead-in wire to an antenna discharge unit, size of grounding conductors, location of antenna discharge unit, connection to grounding electrode, and requirements for the grounding electrode.

EXAMPLE OF ANTENNA GROUNDING AS PER NATIONAL ELECTRICAL CODE INSTRUCTIONS



- 15.2. Note to CATV system installer : (Only for the television set with CATV reception)

This reminder is provided to call the CATV system installer's attention to Article 820-40 of the NEC that provides guidelines for proper grounding and, in particular, specifies that the cable ground shall be connected to the grounding system of the building, as close to the point of cable entry as practical.

16. An outside antenna system should not be located in the vicinity of overhead power lines or other electric lights or power circuits, or where it can fall into such power lines or circuits. When installing an outside antenna system, extreme care should be taken to keep from touching such power lines or circuits as contact with them might be fatal.
17. For added protection for this television set during a lightning storm, or when it is left unattended and unused for long periods of time, unplug it from the wall outlet and disconnect the antenna. This will prevent damage due to lightning and power-line surges.

OPERATION OF YOUR SET

18. This television set should be operated only from the type of power source indicated on the marking label. If you are not sure of the type of power supply at your home, consult your television dealer or local power company. For television sets designed to operate from battery power, refer to the operating instructions.
19. If the television set does not operate normally by following the operating instructions, unplug this television set from the wall outlet and refer servicing to qualified service personnel. Adjust only those controls that are covered in the operating instructions as improper adjustment of other controls may result in damage and will often require extensive work by a qualified technician to restore the television set to normal operation.
20. When going on a holiday : If your television set is to remain unused for a period of time, for instance, when you go on a holiday, turn the television set " off " and unplug the television set from the wall outlet.

IF THE SET DOES NOT OPERATE PROPERLY

21. If you are unable to restore normal operation by following the detailed procedure in your operating instructions, do not attempt any further adjustment. Unplug the set and call your dealer or service technician.
22. Whenever the television set is damaged or fails, or a distinct change in performance indicates a need for service, unplug the set and have it checked by a professional service technician.
23. It is normal for some TV sets to make occasional snapping or popping sounds, particularly when being turned on or off. If the snapping or popping is continuous or frequent, unplug the set and consult your dealer or service technician.

FOR SERVICE AND MODIFICATION

24. Do not use attachments not recommended by the television set manufacturer as they may cause hazards.
25. When replacement parts are required, be sure the service technician has used replacement parts specified by the manufacturer that have the same characteristics as the original part. Unauthorized substitutions may result in fire, electric shock, or other hazards.
26. Upon completion of any service or repairs to the television set, ask the service technician to perform routine safety checks to determine that the television is in safe operating condition.

- SCART SOCKET(AV)
- S SCART SOCKET(FULL)

SPECIFICATION	SCART	RCA
VIDEO INPUT 75Ω S	1V _{P-P}	1V _{P-P}
AUDIO INPUT 10kΩ (R+L)	0.5V _{rmS}	0.5V _{rmS}
VIDEO OUTPUT 75Ω	1V _{P-P}	1V _{P-P}
AUDIO OUTPUT 1kΩ (R+L)	0.5V _{rmS}	0.5V _{rmS}
RGB INTPUT 75Ω	0.7V _{P-P}	
AUDIO LINE OUTPUT 1kΩ	1V _{P-P}	

F: OTHERS INFORMATION

1. FLYBACK : 37-BS2901-58BOX
2. TUNER : 07-389VI5-NX4
3. SAW FILTER : 45-SAWK33-50K
4. POWER CORD : _____
5. FUSE : _____
6. COLOUR TEMP : _____
7. MAGNETIC FIELD : _____
8. IC EEPROM : 13-00M24C-08P
9. IR RECEIVER : 11-IRR001-1X0
10. CIRCUIT DIAGRAM : 01-29604T-MA3
11. MAIN BOARD : 40-2916MT-MAH

Parent Item No.	Item No.	Description	Quantity	Designator	Remarks
03-29604T-AA3	08-02918T-NIY	ASS'Y - NICAM BD	1		
08-02918T-NIY	11-SC1815-YBX	TRANSISTOR 2SC1815Y	1	Q1001	
08-02918T-NIY	13-P3410G-8BP	IC MSP 3410G B8	1	IC1001	
08-02918T-NIY	18-CB0101-JNX	RES. C. F. 100 OHM 1/6W +/-5%	1	R1011	
08-02918T-NIY	18-CB0101-JNX	RES. C. F. 100 OHM 1/6W +/-5%	1	R1014	
08-02918T-NIY	18-CB0101-JNX	RES. C. F. 100 OHM 1/6W +/-5%	1	R1017	
08-02918T-NIY	18-CB0101-JNX	RES. C. F. 100 OHM 1/6W +/-5%	1	R1018	
08-02918T-NIY	18-CB0102-JNX	RES. C. F. 1K OHM 1/6W +/-5%	1	R1022	
08-02918T-NIY	18-CB0102-JNX	RES. C. F. 1K OHM 1/6W +/-5%	1	R1023	
08-02918T-NIY	18-CB0152-JNX	RES. C. F. 1.5k OHM 1/6W +/-5%	1	R1002	
08-02918T-NIY	18-CB0332-JNX	RES. C. F. 3.3k OHM 1/6W +/-5%	1	R1003	
08-02918T-NIY	18-CB0470-JNX	RES. C. F. 47 OHM 1/6W +/-5%	1	R1001	
08-02918T-NIY	18-CB0472-JNX	RES. C. F. 4.7k OHM 1/6W +/-5%	1	R1019	
08-02918T-NIY	18-CB0472-JNX	RES. C. F. 4.7k OHM 1/6W +/-5%	1	R1020	
08-02918T-NIY	18-CB0472-JNX	RES. C. F. 4.7k OHM 1/6W +/-5%	1	R1015	
08-02918T-NIY	26-ABC152-KBX	CAP. CER 1500 PF 50V +/-10% B	1	C1017	
08-02918T-NIY	26-ABC272-KBX	CAP. CER 2700 PF 50V +/-10% B	1	C1006	
08-02918T-NIY	26-ABC272-KBX	CAP. CER 2700 PF 50V +/-10% B	1	C1007	
08-02918T-NIY	26-ABC339-CZX	CAP. CER 3.3 PF 50V +/-0.25 SL	1	C1026	
08-02918T-NIY	26-ABC339-CZX	CAP. CER 3.3 PF 50V +/-0.25 SL	1	C1027	
08-02918T-NIY	26-EBP102-KBX	CAP. CER 1000 PF 50V +/-10% B	1	C1008	
08-02918T-NIY	26-EBP102-KBX	CAP. CER 1000 PF 50V +/-10% B	1	C1009	
08-02918T-NIY	26-EBP102-KBX	CAP. CER 1000 PF 50V +/-10% B	1	C1010	
08-02918T-NIY	26-EBP102-KBX	CAP. CER 1000 PF 50V +/-10% B	1	C1011	
08-02918T-NIY	26-EBP103-ZFX	CAP. CER 0.01UF 50V +80/-20% F	1	C1002	
08-02918T-NIY	26-EBP104-ZFX	CAP. CER 0.1UF 50V +80%/-20%	1	C1004	
08-02918T-NIY	26-EBP104-ZFX	CAP. CER 0.1UF 50V +80%/-20%	1	C1012	
08-02918T-NIY	26-EBP104-ZFX	CAP. CER 0.1UF 50V +80%/-20%	1	C1019	
08-02918T-NIY	26-EBP104-ZFX	CAP. CER 0.1UF 50V +80%/-20%	1	C1021	
08-02918T-NIY	26-EBP104-ZFX	CAP. CER 0.1UF 50V +80%/-20%	1	C1023	

Parent Item No.	Item No.	Description	Quantity	Designator	Remarks
08-02918T-NIY	26-EBP471-JCX	CAP. CER 470PF 50V +/-5% CH	1	C1018	
08-02918T-NIY	26-EBP560-JCX	CAP. CER 56PF 50V +/-5%	1	C1025	
08-02918T-NIY	26-EBP560-JCX	CAP. CER 56PF 50V +/-5%	1	C1024	
08-02918T-NIY	26-EBP560-JCX	CAP. CER 56PF 50V +/-5%	1	C1028	
08-02918T-NIY	27-MBC334-JOX	CAP. M. P. E 0.33UF 63V +/-5%	1	C1029	
08-02918T-NIY	27-MBC334-JOX	CAP. M. P. E 0.33UF 63V +/-5%	1	C1030	
08-02918T-NIY	27-PBC102-JOX	CAP. P. E 0.001UF 63V +/-5%	1	C1031	
08-02918T-NIY	34-R100J2-OEX	COIL PL - 10 UH +/-5%	1	L1001	
08-02918T-NIY	41-WJ0060-B00	WIRE BARE JUMPER 6mm	1	J1011	
08-02918T-NIY	41-WJ0065-B00	WIRE BARE JUMPER 6.5MM	1	J1003	
08-02918T-NIY	41-WJ0065-B00	WIRE BARE JUMPER 6.5MM	1	J1014	
08-02918T-NIY	41-WJ0075-B00	WIRE BARE JUMPER 7.5MM	1	J1001	
08-02918T-NIY	41-WJ0075-B00	WIRE BARE JUMPER 7.5MM	1	J1002	
08-02918T-NIY	41-WJ0090-B00	WIRE BARE JUMPER 9MM	1	J1009	
08-02918T-NIY	41-WJ0090-B00	WIRE BARE JUMPER 9MM	1	J1012	
08-02918T-NIY	41-WJ0090-B00	WIRE BARE JUMPER 9MM	1	J1013	
08-02918T-NIY	41-WJ0090-B00	WIRE BARE JUMPER 9MM	1	J1010	
08-02918T-NIY	41-WJ0150-B00	WIRE BARE JUMPER 15MM	1	J1004	
08-02918T-NIY	41-WJ0150-B00	WIRE BARE JUMPER 15MM	1	J1005	
08-02918T-NIY	41-WJ0150-B00	WIRE BARE JUMPER 15MM	1	J1006	
08-02918T-NIY	41-WJ0150-B00	WIRE BARE JUMPER 15MM	1	J1007	
08-02918T-NIY	41-WJ0150-B00	WIRE BARE JUMPER 15MM	1	J1008	
08-02918T-NIY	45-OSC18M-4Y0	CRYSTAL 18.432M	1	X1001	
08-02918T-NIY	46-33079W-02X	PIN BASE *2 TJC3-2A	1	P1003	FOR P2 & P3
08-02918T-NIY	46-21550W-12X	HEADER *12 TS12B-SQ-1 L=10MM	1		P1001 FOR M. BD P1200
08-02918T-NIY	67-257870-1T0	BRACKET IF BD	1		
08-02918T-NIY	67-257870-2T0	BRACKET IF BD	1		
08-02918T-NIY	40-2918NT-NIB	P. C. B. NICAM BD	1		
08-02918T-NIY	18-CB0224-JNX	RES. C. F. 220k OHM 1/6W +/-5%	1	R1006	
08-02918T-NIY	18-CB0224-JNX	RES. C. F. 220k OHM 1/6W +/-5%	1	R1008	

Parent Item No.	Item No.	Description	Quantity	Designator	Remarks
08-02918T-NIY	11-SC1815-YBX	TRANSISTOR 2SC1815Y	1	Q1002	
08-02918T-NIY	11-SC1815-YBX	TRANSISTOR 2SC1815Y	1	Q1003	
08-02918T-NIY	41-WJ0150-B00	WIRE BARE JUMPER 15MM	1	J1015	
08-02918T-NIY	25-BCB100-M1X	CAP. ELEC 10 UF 16V +/-20%	1	C1003	
08-02918T-NIY	25-BCB100-M1X	CAP. ELEC 10 UF 16V +/-20%	1	C1014	
08-02918T-NIY	25-BCB100-M1X	CAP. ELEC 10 UF 16V +/-20%	1	C1015	
08-02918T-NIY	25-BCB100-M1X	CAP. ELEC 10 UF 16V +/-20%	1	C1016	
08-02918T-NIY	25-BCB100-M1X	CAP. ELEC 10 UF 16V +/-20%	1	C1022	
08-02918T-NIY	25-BCB100-M1X	CAP. ELEC 10 UF 16V +/-20%	1	C1033	
08-02918T-NIY	25-BCB100-M1X	CAP. ELEC 10 UF 16V +/-20%	1	C1034	
08-02918T-NIY	25-BCB220-M1X	CAP. ELEC 22 UF 16V +/-20%	1	C1032	
08-02918T-NIY	25-BCB470-M1X	CAP. ELEC 47 UF 16V +/-20%	1	C1001	
08-02918T-NIY	25-BCB470-M1X	CAP. ELEC 47 UF 16V +/-20%	1	C1013	
08-02918T-NIY	25-BFB109-M1X	CAP. ELEC 1 UF 50V +/-20%	1	C1005	
08-02918T-NIY	25-BFB339-M1X	CAP. ELEC 3.3 UF 50V +/-20%	1	C1020	
03-29604T-AA3	08-02960T-AVY	ASS'Y - SIDE AV BD	1		
08-02960T-AVY	40-2960MT-SIA	P. C. B. SIDE AV BD	1		
08-02960T-AVY	41-WJ0075-B00	WIRE BARE JUMPER 7.5MM	1	J001A	
08-02960T-AVY	46-30790H-06X	HS 6P24 400 TJC3-6Y/SCN-6Y	1	P003A	FOR M. BD P003
08-02960T-AVY	47-RCA041-XX0	JACK RCA 3PH H=8MM YL WH RD/SW	1	P941A	
08-02960T-AVY	63-B30080-BT4	S/T SCREW B 3 X 8 BT	2		MTG SIDE AV BD & F. CAB
03-29604T-AA3	08-02960T-FB3	ASS'Y - FRONT CTL & SW. BD	1		
08-02960T-FB3	11-IRR001-1X0	IR RECEIVER MODULE HS0038A2	1	IR1001	
08-02960T-FB3	14-LED05R-XX1	LED RED FB205	1	D1001	
08-02960T-FB3	18-CB0102-JNX	RES. C. F. 1K OHM 1/6W +/-5%	1	R033A	
08-02960T-FB3	18-CB0152-JNX	RES. C. F. 1.5k OHM 1/6W +/-5%	1	R023A	
08-02960T-FB3	18-CB0153-JNX	RES. C. F. 15k OHM 1/6W +/-5%	1	R027A	
08-02960T-FB3	18-CB0182-JNX	RES. C. F. 1.8k OHM 1/6W +/-5%	1	R024A	
08-02960T-FB3	18-CB0332-JNX	RES. C. F. 3.3k OHM 1/6W +/-5%	1	R025A	
08-02960T-FB3	18-CB0470-JNX	RES. C. F. 47 OHM 1/6W +/-5%	1	R070A	

Parent Item No.	Item No.	Description	Quantity	Designator	Remarks
08-02960T-FB3	18-CB0471-JNX	RES. C. F. 470 OHM 1/6W +/-5%	1	R033B	
08-02960T-FB3	18-CB0822-JNX	RES. C. F. 8.2K OHM 1/6W +/-5%	1	R022A	
08-02960T-FB3	18-CB0822-JNX	RES. C. F. 8.2K OHM 1/6W +/-5%	1	R026A	
08-02960T-FB3	40-2960MT-SWB	P. C. B. SWITCH BD	1		
08-02960T-FB3	41-WJ0050-B00	WIRE BARE JUMPER 5MM	1	J03A	
08-02960T-FB3	41-WJ0060-B00	WIRE BARE JUMPER 6mm	1	J01	
08-02960T-FB3	41-WJ0060-B00	WIRE BARE JUMPER 6mm	1	J02	
08-02960T-FB3	41-WJ0060-B00	WIRE BARE JUMPER 6mm	1	J04	
08-02960T-FB3	46-28559W-02X	PIN BASE *2 TJC1-2A	1		P801 FOR POWER CORD
08-02960T-FB3	46-28559W-02X	PIN BASE *2 TJC1-2A	1	S802	
08-02960T-FB3	46-30407H-05X	HS UL2468#24 5C/TS 180 TJC3-5Y	1		P001B FOR M. BD P001
08-02960T-FB3	46-35049H-02X	HS 2P 1617#22 350 TJC1-2Y/TJC1-2Y	1		FOR F. CTL BD(S802) & PWR PARTS
08-02960T-FB3	48-256460-0C0	SWITCH POWER TV8(PCB MOUNTING)	1	SW801	
08-02960T-FB3	48-TAC010-XX0	SWITCH TACT TSVC-2 (L=8.5 MM)	1	S003A	
08-02960T-FB3	48-TAC010-XX0	SWITCH TACT TSVC-2 (L=8.5 MM)	1	S004A	
08-02960T-FB3	48-TAC010-XX0	SWITCH TACT TSVC-2 (L=8.5 MM)	1	S005A	
08-02960T-FB3	48-TAC010-XX0	SWITCH TACT TSVC-2 (L=8.5 MM)	1	S006A	
08-02960T-FB3	48-TAC010-XX0	SWITCH TACT TSVC-2 (L=8.5 MM)	1	S001A	
08-02960T-FB3	48-TAC010-XX0	SWITCH TACT TSVC-2 (L=8.5 MM)	1	S002A	
08-02960T-FB3	51-JC0243-0CH01	POWER CORD SAA PLUG W/HOUSING	1		
08-02960T-FB3	62-310430-OHA	LED HOLDER (COMMON)	1		
08-02960T-FB3	63-B30100-BT4	S/T SCREW B 3 X 10 BT	2		MTG SW. BD & M. BD BKT
08-02960T-FB3	63-W30100-AB4	S/T SCREW W 3 X 10 AB	3		MTG F. CTL BD & M. BD BKT
08-02960T-FB3	25-BCB470-M1X	CAP. ELEC 47 UF 16V +/-20%	1	C070A	
03-29604T-AA3	08-02988T-CR2	ASS'Y - CRT BD	1		
08-02988T-CR2	10-1N4148-ABX	DIODE 1N4148 (SWITCHING)	1	D501	
08-02988T-CR2	10-1N4148-ABX	DIODE 1N4148 (SWITCHING)	1	D502	
08-02988T-CR2	10-1N4148-ABX	DIODE 1N4148 (SWITCHING)	1	L501	
08-02988T-CR2	11-A562TM-0BX	TRANSISTOR 2SA562TM-0	1	Q507	
08-02988T-CR2	11-SC1815-YBX	TRANSISTOR 2SC1815Y	1	Q502	

Parent Item No.	Item No.	Description	Quantity	Designator	Remarks
08-02988T-CR2	11-SC1815-YBX	TRANSISTOR 2SC1815Y	1	Q504	
08-02988T-CR2	11-SC1815-YBX	TRANSISTOR 2SC1815Y	1	Q506	
08-02988T-CR2	18-CB0102-JNX	RES. C. F. 1K OHM 1/6W +/-5%	1	R515	
08-02988T-CR2	18-CB0272-JNX	RES. C. F. 2.7k OHM 1/6W +/-5%	1	R514	
08-02988T-CR2	18-CB0561-JNX	RES. C. F. 560 OHM 1/6W +/-5%	1	R501	
08-02988T-CR2	18-CB0561-JNX	RES. C. F. 560 OHM 1/6W +/-5%	1	R505	
08-02988T-CR2	18-CB0561-JNX	RES. C. F. 560 OHM 1/6W +/-5%	1	R510	
08-02988T-CR2	18-CB0681-JNX	RES. C. F. 680 OHM 1/6W +/-5%	1	R502	
08-02988T-CR2	18-CB0681-JNX	RES. C. F. 680 OHM 1/6W +/-5%	1	R506	
08-02988T-CR2	18-CB0681-JNX	RES. C. F. 680 OHM 1/6W +/-5%	1	R509	
08-02988T-CR2	18-CB0681-JNX	RES. C. F. 680 OHM 1/6W +/-5%	1	R511	
08-02988T-CR2	18-CB0681-JNX	RES. C. F. 680 OHM 1/6W +/-5%	1	R522	
08-02988T-CR2	18-CB0681-JNX	RES. C. F. 680 OHM 1/6W +/-5%	1	R503	
08-02988T-CR2	18-CB0681-JNX	RES. C. F. 680 OHM 1/6W +/-5%	1	R508	
08-02988T-CR2	18-CB0681-JNX	RES. C. F. 680 OHM 1/6W +/-5%	1	R513	
08-02988T-CR2	18-FE0272-JNX	RES. M. O. 2.7K OHM 1/2W +/-5%	1	R519	
08-02988T-CR2	18-FE0272-JNX	RES. M. O. 2.7K OHM 1/2W +/-5%	1	R520	
08-02988T-CR2	18-FE0272-JNX	RES. M. O. 2.7K OHM 1/2W +/-5%	1	R521	
08-02988T-CR2	18-FG0183-JHX	RES. M. O. 18K OHM 2W +/-5%	1	R516	
08-02988T-CR2	18-FG0183-JHX	RES. M. O. 18K OHM 2W +/-5%	1	R517	
08-02988T-CR2	18-FG0183-JHX	RES. M. O. 18K OHM 2W +/-5%	1	R518	
08-02988T-CR2	25-BLA100-M1X	CAP. ELEC 10 UF 250V +/-20%	1	C504	
08-02988T-CR2	26-AMK182-KRX	CAP. CER 1800PF 2KV +/-10% R	1	C505	
08-02988T-CR2	26-EBP103-ZFX	CAP. CER 0.01UF 50V +80/-20% F	1	C508	
08-02988T-CR2	26-EBP103-ZFX	CAP. CER 0.01UF 50V +80/-20% F	1	C509	
08-02988T-CR2	26-EBP391-JCX	CAP. CER. 390PF 50V +/-5% CH	1	C501	
08-02988T-CR2	26-EBP471-JCX	CAP. CER 470PF 50V +/-5% CH	1	C503	
08-02988T-CR2	26-EBP471-JCX	CAP. CER 470PF 50V +/-5% CH	1	C502	
08-02988T-CR2	34-R220K2-1BX	COIL CHOKE 22 UH +/-10%	1	L502	
08-02988T-CR2	35-237250-00X	FERR. BEAD HF70	2		FOR C508 (L505 & L506)

Parent Item No.	Item No.	Description	Quantity	Designator	Remarks
08-02988T-CR2	40-2980UA-CRA	P. C. B. CRT BD	1		
08-02988T-CR2	41-WJ0050-B00	WIRE BARE JUMPER 5MM	1	L504	
08-02988T-CR2	41-WJ0050-B00	WIRE BARE JUMPER 5MM	1	L503	
08-02988T-CR2	41-WJ0060-B00	WIRE BARE JUMPER 6mm	1	R504	
08-02988T-CR2	41-WJ0060-B00	WIRE BARE JUMPER 6mm	1	R507	
08-02988T-CR2	41-WJ0060-B00	WIRE BARE JUMPER 6mm	1	R512	
08-02988T-CR2	41-WJ0075-B00	WIRE BARE JUMPER 7.5MM	1	J503	
08-02988T-CR2	46-10967W-01X	PIN BASE *1 TJC1-1A	1		P501 FOR CRT GROUNDING HOUS.
08-02988T-CR2	46-30615H-04X	HS 4P24 460 F/W TJC3-4Y/SCN-4	1		P502 FOR M. BD P421
08-02988T-CR2	46-37030H-05X	HS 5P 2468#24 450 TJC3-5Y/SCN	1		P503 FOR M. BD P201
08-02988T-CR2	47-316380-007	CRT SOCKET GZS10-301H	1	S501	
08-02988T-CR2	11-SC4544-0AX	TRANSISTOR 2SC4544	1	Q501	
08-02988T-CR2	11-SC4544-0AX	TRANSISTOR 2SC4544	1	Q503	
08-02988T-CR2	11-SC4544-0AX	TRANSISTOR 2SC4544	1	Q505	
08-02988T-CR2	25-BCB471-M1X	CAP. ELEC 470 UF 16V +/-20%	1	C506	
03-29604T-AA3	08-02988T-DFY	ASS'Y - DYNAMIC FOCUS	1		
08-02988T-DFY	18-FG0120-JHX	RES. M. O. 12 OHM 2W +/-5%	1	R1501	
08-02988T-DFY	18-FG0120-JHX	RES. M. O. 12 OHM 2W +/-5%	1	R1502	
08-02988T-DFY	27-AGQ224-JOX	CAP. M. PP 0.22 UF 250V +/-5%	1	C1504	
08-02988T-DFY	27-AGQ824-JOX	CAP. M. PP 0.82 UF 250V +/-5%	1	C1506	
08-02988T-DFY	36-DFC001-XX0	FOCALIZING TRANS.	1	T1501	
08-02988T-DFY	40-2980UA-DPC	P. C. B. DPC BD	1		
08-02988T-DFY	46-20598W-04X	PIN BASE *4 TJC1-4A	1	P1501	FOR M. BD A1' &A2&A5&A6
08-02988T-DFY	64-B30080-104	M/C SCREW B 3 X 8	2		MTG D. F BD & IC301(H. SINK)
08-02988T-DFY	65-Z30050-23M	NUT M 3	2		
03-29604T-AA3	08-02988T-PW1	ASS'Y - POWER PARTS "AUST"	1		
08-02988T-PW1	10-ORU4YX-FOX	DIODE RU4YX (FAST RECOVERY)	1	D830	
08-02988T-PW1	10-OTEU1Z-FBX	DIODE TEU1Z (FAST RECOVERY)	1	D804	
08-02988T-PW1	10-OTEU1Z-FBX	DIODE TEU1Z (FAST RECOVERY)	1	D805	
08-02988T-PW1	10-OTEU1Z-FBX	DIODE TEU1Z (FAST RECOVERY)	1	D806	

Parent Item No.	Item No.	Description	Quantity	Designator	Remarks
08-02988T-PW1	10-1N4004-EBX	DIODE 1N4004 (RECTIFIER)	1	D843	
08-02988T-PW1	10-1N4148-ABX	DIODE 1N4148 (SWITCHING)	1	D842	
08-02988T-PW1	10-T3SB60-H7X	DIODE ZENER T3SB60 4.0A 600V	1	DB801	
08-02988T-PW1	11-0BF422-0BX	TRANSISTOR BF422 (NPN)	1	Q831	
08-02988T-PW1	11-SB649A-0AX	TRANSISTOR 2SB649A	1	Q830	
08-02988T-PW1	11-SC4793-0AX	STANSISTOR 2SC4793	1	Q801	
08-02988T-PW1	13-00SE14-0NS	IC SE140N	1	IC831	
08-02988T-PW1	13-SFH615-A3P	PHOTO COUPLER SFH615A3C	1	IC802	
08-02988T-PW1	13-STRF66-56P	IC STR-F6656	1	IC801	
08-02988T-PW1	18-CB0152-JNX	RES. C. F. 1.5k OHM 1/6W +/-5%	1	R833	
08-02988T-PW1	18-CB0223-JNX	RES. C. F. 22k OHM 1/6W +/-5%	1	R840	
08-02988T-PW1	18-CB0332-JNX	RES. C. F. 3.3k OHM 1/6W +/-5%	1	R838	
08-02988T-PW1	18-CB0392-JNX	RES. C. F. 3.9k OHM 1/6W +/-5%	1	R841	
08-02988T-PW1	18-CD0102-JNX	RES. C. F. 1k OHM 1/4W +/-5%	1	R805	
08-02988T-PW1	18-CD0102-JNX	RES. C. F. 1k OHM 1/4W +/-5%	1	R808	
08-02988T-PW1	18-CD0272-JNX	RES. C. F. 2.7K OHM 1/4W +/-5%	1	R813	
08-02988T-PW1	18-CD0470-JNX	RES. C. F. 47 OHM 1/4W +/-5%	1	R809	
08-02988T-PW1	18-CD0479-JNX	RES. C. F. 4.7 OHM 1/4W +/-5%	1	R811	
08-02988T-PW1	18-CD0560-JNX	RES. C. F. 56 OHM 1/4W +/-5%	1	R837	
08-02988T-PW1	18-CD0829-JNX	RES. C. F. 8.2 OHM 1/4W +/-5%	1	R842	
08-02988T-PW1	18-CE0105-JNX	RES. C. F. 1M OHM 1/2W +/-5%	1	R806	
08-02988T-PW1	18-CE0105-JNX	RES. C. F. 1M OHM 1/2W +/-5%	1	R806A	
08-02988T-PW1	18-CE0563-JNX	RES. C. F. 56k OHM 1/2W +/-5%	1	R803	
08-02988T-PW1	18-CE0563-JNX	RES. C. F. 56k OHM 1/2W +/-5%	1	R804	
08-02988T-PW1	18-FG0223-JHX	RES. M. O. 22K OHM 2W +/-5%	1	R836	
08-02988T-PW1	18-FG0333-JHX	RES. M. O. 33K OHM 2W +/-5%	1	R810	
08-02988T-PW1	18-FG0333-JHX	RES. M. O. 33K OHM 2W +/-5%	1	R839	
08-02988T-PW1	18-GG0158-JHX	RES WIRE ROUND 0.15 OHM 2W 5%	1	R807	
08-02988T-PW1	18-GG0228-JHX	RES WIRE ROUND 0.22 OHM 2W 5%	1	R830	
08-02988T-PW1	22-NTC479-XX0	NTC 4.7 OHM +/-18% NTC4.7D2-14	1	R802	

Parent Item No.	Item No.	Description	Quantity	Designator	Remarks
08-02988T-PW1	22-PTC140-XX0	POSISTOR 14 OHM	1	RT801	
08-02988T-PW1	25-BKA100-M1X	CAP. ELEC 10 UF 200V +/-20%	1	C808	
08-02988T-PW1	25-BKA100-M1X	CAP. ELEC 10 UF 200V +/-20%	1	C838	
08-02988T-PW1	25-BKJ221-M1X	CAP. ELEC 220 UF 200V +/-20%	1	C835	
08-02988T-PW1	25-BMJ221-M1X	CAP. ELEC 220 UF 400V +/-20%	1	C806	
08-02988T-PW1	26-AIC221-KBX	CAP. CER 220 PF 500V +/-10% B	1	C830	
08-02988T-PW1	26-AIC221-KBX	CAP. CER 220 PF 500V +/-10% B	1	C833	
08-02988T-PW1	26-AIC221-KBX	CAP. CER 220 PF 500V +/-10% B	1	C836	
08-02988T-PW1	26-AIC221-KBX	CAP. CER 220 PF 500V +/-10% B	1	C841	
08-02988T-PW1	26-AIC221-KBX	CAP. CER 220 PF 500V +/-10% B	1	C844	
08-02988T-PW1	26-AIM103-KBX	CAP. CER 0.01UF 500V +/-10% B	1	C805	
08-02988T-PW1	26-AIM103-KBX	CAP. CER 0.01UF 500V +/-10% B	1	C834	
08-02988T-PW1	26-AIM103-KBX	CAP. CER 0.01UF 500V +/-10% B	1	C837	
08-02988T-PW1	26-AKK222-KRX	CAP. CER 2200 PF 1KV +/-10% R	1	C814	
08-02988T-PW1	26-AMK221-JZX	CAP. CER 220pF 2KV +/-5% SL	1		FOR P2 - P3 OF IC801
08-02988T-PW1	26-AMK221-JZX	CAP. CER 220pF 2KV +/-5% SL	1	C807	
08-02988T-PW1	26-APK222-ME4	CAP. CER 2200PF 400VAC +/-20% E	1	C839	
08-02988T-PW1	26-APK471-KB4	CAP. CER 470 pF 400VAC +/-10%	1	C812	
08-02988T-PW1	26-APK471-KB4	CAP. CER 470 pF 400VAC +/-10%	1	C813	
08-02988T-PW1	26-AQK472-ZFX	CAP. CER 4700PF 250VAC+80-20%F	1	C803	
08-02988T-PW1	26-AQK472-ZFX	CAP. CER 4700PF 250VAC+80-20%F	1	C804	
08-02988T-PW1	26-EBP102-KBX	CAP. CER 1000 PF 50V +/-10% B	1	C811	
08-02988T-PW1	26-EBP103-ZFX	CAP. CER 0.01UF 50V +80/-20% F	1	C815	
08-02988T-PW1	26-EBP104-ZFX	CAP. CER 0.1UF 50V +80%/-20%	1	C847	
08-02988T-PW1	26-EBP104-ZFX	CAP. CER 0.1UF 50V +80%/-20%	1	C848	
08-02988T-PW1	26-EBP104-ZFX	CAP. CER 0.1UF 50V +80%/-20%	1	C854	
08-02988T-PW1	26-EBP104-ZFX	CAP. CER 0.1UF 50V +80%/-20%	1	C856	
08-02988T-PW1	26-EBP104-ZFX	CAP. CER 0.1UF 50V +80%/-20%	1	C831	
08-02988T-PW1	26-EBP104-ZFX	CAP. CER 0.1UF 50V +80%/-20%	1	C842	
08-02988T-PW1	26-EBP104-ZFX	CAP. CER 0.1UF 50V +80%/-20%	1	C845	

Parent Item No.	Item No.	Description	Quantity	Designator	Remarks
08-02988T-PW1	26-EBP221-JCX	CAP. CER 220PF 50V +/-5% CH	1	C810	
08-02988T-PW1	27-MHM104-K0X	CAP. METAL P.E. 0.1UF 400V 10%	1	C802A	
08-02988T-PW1	34-A608K6-1BX	COIL CHOKE 0.6 UH +/-10%	1	L801	
08-02988T-PW1	34-R220K2-1BX	COIL CHOKE 22 UH +/-10%	1	L838	
08-02988T-PW1	35-237250-00X	FERR. BEAD HF70	2		FOR D804
08-02988T-PW1	35-237250-00X	FERR. BEAD HF70	2		FOR D831
08-02988T-PW1	35-237250-00X	FERR. BEAD HF70	2		FOR D832
08-02988T-PW1	35-237250-00X	FERR. BEAD HF70	2		FOR D833
08-02988T-PW1	35-237250-00X	FERR. BEAD HF70	2		FOR D834
08-02988T-PW1	35-237250-00X	FERR. BEAD HF70	2		FOR D830
08-02988T-PW1	36-LIF002-XX0	LINE FILTER 20mH	1	T803	
08-02988T-PW1	36-LIF005-XX0	LINE FILTER	1	T801	
08-02988T-PW1	41-WJ0050-B00	WIRE BARE JUMPER 5MM	1	J802	
08-02988T-PW1	41-WJ0050-B00	WIRE BARE JUMPER 5MM	1	J804	
08-02988T-PW1	41-WJ0050-B00	WIRE BARE JUMPER 5MM	1	J805	
08-02988T-PW1	41-WJ0050-B00	WIRE BARE JUMPER 5MM	1	J806	
08-02988T-PW1	41-WJ0050-B00	WIRE BARE JUMPER 5MM	1	J807	
08-02988T-PW1	41-WJ0050-B00	WIRE BARE JUMPER 5MM	1	J808	
08-02988T-PW1	41-WJ0065-B00	WIRE BARE JUMPER 6.5MM	1	J451	
08-02988T-PW1	41-WJ0075-B00	WIRE BARE JUMPER 7.5MM	1	J471	
08-02988T-PW1	41-WJ0100-B00	WIRE BARE JUMPER 10MM	1	J371	
08-02988T-PW1	41-WJ0100-B00	WIRE BARE JUMPER 10MM	1	J654	
08-02988T-PW1	41-WJ0100-B00	WIRE BARE JUMPER 10MM	1	J655	
08-02988T-PW1	41-WJ0125-B00	WIRE BARE JUMPER 12.5MM	1	J361	
08-02988T-PW1	41-WJ0125-B00	WIRE BARE JUMPER 12.5MM	1	J492	
08-02988T-PW1	41-WJ0125-B00	WIRE BARE JUMPER 12.5MM	1	R831	
08-02988T-PW1	41-WJ0145-B00	WIRE BARE JUMPER 14.5MM	1	J491	
08-02988T-PW1	41-WJ0150-B00	WIRE BARE JUMPER 15MM	1	R812	
08-02988T-PW1	41-WJ0155-B00	WIRE BARE JUMPER 15.5MM	1	J561	
08-02988T-PW1	41-WJ0155-B00	WIRE BARE JUMPER 15.5MM	1	J562	

Parent Item No.	Item No.	Description	Quantity	Designator	Remarks
08-02988T-PW1	41-WJ0175-B00	WIRE BARE JUMPER 17.5MM	1	J281	
08-02988T-PW1	41-WJ0175-B00	WIRE BARE JUMPER 17.5MM	1	J271	
08-02988T-PW1	41-WJ0180-B00	WIRE BARE JUMPER 18MM	1	J353	
08-02988T-PW1	41-WJ0190-B00	WIRE BARE JUMPER 19MM	1	J354	
08-02988T-PW1	41-WJ0200-B00	WIRE BARE JUMPER 20MM	1	J381	
08-02988T-PW1	46-10962W-02X	PIN BASE *2 TJC2-2A	1		P801 FOR DEGAUSSING COIL
08-02988T-PW1	46-28559W-02X	PIN BASE *2 TJC1-2A	1	P802A	FOR F. CTL BD
08-02988T-PW1	64-B30120-104	M/C SCREW B 3 X 12	1		FOR IC 801
08-02988T-PW1	64-P30080-104	M/C SCREW P 3 X 8	1		FOR IC841
08-02988T-PW1	64-P30080-104	M/C SCREW P 3 X 8	1		FOR IC851
08-02988T-PW1	64-P30080-104	M/C SCREW P 3 X 8	2		FOR IC 801
08-02988T-PW1	65-Z30050-23M	NUT M 3	1		FOR IC801
08-02988T-PW1	66-20516X-0B0	FUSE HOLDER	2		FOR F801
08-02988T-PW1	66-343730-0B0	HOLLOW RIVET 1.6X3.0XL3.2	4		FOR T802
08-02988T-PW1	66-343730-0B0	HOLLOW RIVET 1.6X3.0XL3.2	2		FOR DB801
08-02988T-PW1	67-H10918-4M2	HEAT SINK	2		FOR IC841 & IC851
08-02988T-PW1	67-H29550-8A0	HEAT SINK	1		FOR IC801
08-02988T-PW1	67-H34692-0A0	HEAT SINK	1		FOR IC801
08-02988T-PW1	10-79C10V-DBX	DIODE ZENER 10V 1/2W 5%	1	D840	
08-02988T-PW1	10-79C16V-DBX	DIODE ZENER 16V 1/2W 5%	1	D807	
08-02988T-PW1	10-79C2V4-DBX	DIODE ZENER 2V4 1/2W 5%	1	D841	
08-02988T-PW1	10-79C3V9-DBX	DIODE ZENER 3V9 1/2W 5%	1	D839	
08-02988T-PW1	10-0FR104-FBX	DIODE FR104 (FAST RECTIFIER)	1	D832	
08-02988T-PW1	36-TRF001-AX2	TRANSFORMER CONV. BCK-4901-77	1	T802	
08-02988T-PW1	18-KE0105-JN3	RES. H. VOLT. CC 1M OHM 1/2W +/-5%	1	R801	
08-02988T-PW1	18-KF0825-JH3	RES. H. VOLT. CC 8.2M OHM 1W +/-5%	1	R835	
08-02988T-PW1	27-AQT224-MVH	CAP. M. PP 0.22 UF 250VAC 20%	1	C801	
08-02988T-PW1	27-AQT224-MVH	CAP. M. PP 0.22 UF 250VAC 20%	1	C802	
08-02988T-PW1	66-343740-0B0	HOLLOW RIVET (2.3mmx4.0mmx3.5mm)	2		FOR D830
08-02988T-PW1	25-BCA102-M1X	CAP. ELEC 1000 UF 16V +/-20%	1	C846	

Parent Item No.	Item No.	Description	Quantity	Designator	Remarks
08-02988T-PW1	25-BCB331-M1X	CAP. ELEC 330 UF 16V +/-20%	1	C843	
08-02988T-PW1	25-BCB470-M1X	CAP. ELEC 47 UF 16V +/-20%	1	C849	
08-02988T-PW1	25-BCB470-M1X	CAP. ELEC 47 UF 16V +/-20%	1	C855	
08-02988T-PW1	25-BDB470-M1X	CAP. ELEC 47 UF 25V +/-20%	1	C809	
08-02988T-PW1	25-BEA102-M1X	CAP. ELEC 1000 UF 35V +/-20%	1	C832	
08-02988T-PW1	50-03150D-1US7	FUSE 250V/3.15A	1	F801	
08-02988T-PW1	10-0EU2YX-FBX	DIODE EU2YX (FAST RECOVERY)	1	D833	
08-02988T-PW1	10-0EU2YX-FBX	DIODE EU2YX (FAST RECOVERY)	1	D834	
08-02988T-PW1	10-0RU3AM-F0X	DIODE RU3AM (FAST RECOVERY)	1	D831	
08-02988T-PW1	10-HER108-FBX	DIODE HER108	1	D803	
08-02988T-PW1	13-UA7805-C0S	IC UA7805C	1	IC841	
08-02988T-PW1	13-L7809C-VAP	IC L7809CV	1	IC851	
03-29604T-AA3	08-02988T-VMY	ASS'Y - VM BD	1		
08-02988T-VMY	10-1N4148-ABX	DIODE 1N4148 (SWITCHING)	1	D556	
08-02988T-VMY	10-1N4148-ABX	DIODE 1N4148 (SWITCHING)	1	D557	
08-02988T-VMY	10-1N4148-ABX	DIODE 1N4148 (SWITCHING)	1	D554	
08-02988T-VMY	10-1N4148-ABX	DIODE 1N4148 (SWITCHING)	1	D555	
08-02988T-VMY	10-1N4148-ABX	DIODE 1N4148 (SWITCHING)	1	D552	
08-02988T-VMY	10-1N4148-ABX	DIODE 1N4148 (SWITCHING)	1	D553	
08-02988T-VMY	11-SA1015-YBX	TRANSISTOR 2SA1015Y	1	Q551	
08-02988T-VMY	11-SA1015-YBX	TRANSISTOR 2SA1015Y	1	Q556	
08-02988T-VMY	11-SA1837-0AX	TRANSISTOR 2SA1837	1	Q560	
08-02988T-VMY	11-SC1815-YBX	TRANSISTOR 2SC1815Y	1	Q553	
08-02988T-VMY	11-SC1815-YBX	TRANSISTOR 2SC1815Y	1	Q554	
08-02988T-VMY	11-SC1815-YBX	TRANSISTOR 2SC1815Y	1	Q555	
08-02988T-VMY	11-SC1815-YBX	TRANSISTOR 2SC1815Y	1	Q557	
08-02988T-VMY	11-SC1815-YBX	TRANSISTOR 2SC1815Y	1	Q558	
08-02988T-VMY	11-SC1815-YBX	TRANSISTOR 2SC1815Y	1	Q559	
08-02988T-VMY	11-SC4793-0AX	STANSISTOR 2SC4793	1	Q561	
08-02988T-VMY	11-SK2541-0BX	TRANSISTOR 2SK2541 (N-CHANNEL)	1	Q552	

Parent Item No.	Item No.	Description	Quantity	Designator	Remarks
08-02988T-VMY	18-CB0103-JNX	RES. C. F. 10K OHM 1/6W +/-5%	1	R552	
08-02988T-VMY	18-CB0103-JNX	RES. C. F. 10K OHM 1/6W +/-5%	1	R551	
08-02988T-VMY	18-CB0103-JNX	RES. C. F. 10K OHM 1/6W +/-5%	1	R564	
08-02988T-VMY	18-CB0122-JNX	RES. C. F. 1.2k OHM 1/6W +/-5%	1	R585	
08-02988T-VMY	18-CB0122-JNX	RES. C. F. 1.2k OHM 1/6W +/-5%	1	R590	
08-02988T-VMY	18-CB0122-JNX	RES. C. F. 1.2k OHM 1/6W +/-5%	1	R582	
08-02988T-VMY	18-CB0123-JNX	RES. C. F. 12k OHM 1/6W +/-5%	1	R563	
08-02988T-VMY	18-CB0123-JNX	RES. C. F. 12k OHM 1/6W +/-5%	1	R589	
08-02988T-VMY	18-CB0123-JNX	RES. C. F. 12k OHM 1/6W +/-5%	1	R578	
08-02988T-VMY	18-CB0123-JNX	RES. C. F. 12k OHM 1/6W +/-5%	1	R574	
08-02988T-VMY	18-CB0124-JNX	RES. C. F. 120K OHM 1/6W +/-5%	1	R577	
08-02988T-VMY	18-CB0151-JNX	RES. C. F. 150 OHM 1/6W +/-5%	1	R568	
08-02988T-VMY	18-CB0152-JNX	RES. C. F. 1.5k OHM 1/6W +/-5%	1	R586	
08-02988T-VMY	18-CB0152-JNX	RES. C. F. 1.5k OHM 1/6W +/-5%	1	R591	
08-02988T-VMY	18-CB0181-JNX	RES. C. F. 180 OHM 1/6W +/-5%	1	R556	
08-02988T-VMY	18-CB0181-JNX	RES. C. F. 180 OHM 1/6W +/-5%	1	R558	
08-02988T-VMY	18-CB0182-JNX	RES. C. F. 1.8K OHM 1/6W +/-5%	1	R554	
08-02988T-VMY	18-CB0182-JNX	RES. C. F. 1.8K OHM 1/6W +/-5%	1	R557	
08-02988T-VMY	18-CB0182-JNX	RES. C. F. 1.8K OHM 1/6W +/-5%	1	R555	
08-02988T-VMY	18-CB0182-JNX	RES. C. F. 1.8K OHM 1/6W +/-5%	1	R581	
08-02988T-VMY	18-CB0182-JNX	RES. C. F. 1.8K OHM 1/6W +/-5%	1	R575	
08-02988T-VMY	18-CB0203-JNX	RES. C. F. 20k OHM 1/6W +/-5%	1	R572	
08-02988T-VMY	18-CB0221-JNX	RES. C. F. 220 OHM 1/6W +/-5%	1	R583	
08-02988T-VMY	18-CB0222-JNX	RES. C. F. 2.2k OHM 1/6W +/-5%	1	R553	
08-02988T-VMY	18-CB0271-JNX	RES. C. F. 270 OHM 1/6W +/-5%	1	R562	
08-02988T-VMY	18-CB0331-JNX	RES. C. F. 330 OHM 1/6W +/-5%	1	R565	
08-02988T-VMY	18-CB0331-JNX	RES. C. F. 330 OHM 1/6W +/-5%	1	R576	
08-02988T-VMY	18-CB0563-JNX	RES. C. F. 56K OHM 1/6W +/-5%	1	R573	
08-02988T-VMY	18-CB0681-JNX	RES. C. F. 680 OHM 1/6W +/-5%	1	R561	
08-02988T-VMY	18-CB0681-JNX	RES. C. F. 680 OHM 1/6W +/-5%	1	R566	

Parent Item No.	Item No.	Description	Quantity	Designator	Remarks
08-02988T-VMY	18-CB0683-JNX	RES. C. F. 68K OHM 1/6W +/-5%	1	R587	
08-02988T-VMY	18-CB0683-JNX	RES. C. F. 68K OHM 1/6W +/-5%	1	R588	
08-02988T-VMY	18-CB0821-JNX	RES. C. F. 820 OHM 1/6W +/-5%	1	R567	
08-02988T-VMY	18-CD0122-JNX	RES. C. F. 1.2K OHM 1/4W +/-5%	1	R571	
08-02988T-VMY	18-CD0279-JNX	RES. C. F. 2.7 OHM 1/4W +/-5%	1	R593	
08-02988T-VMY	18-CD0279-JNX	RES. C. F. 2.7 OHM 1/4W +/-5%	1	R594	
08-02988T-VMY	18-CE0470-JNX	RES. C. F. 47 OHM 1/2W +/-5%	1	R592	
08-02988T-VMY	18-CE0470-JNX	RES. C. F. 47 OHM 1/2W +/-5%	1	R595	
08-02988T-VMY	18-FE0121-JNX	RES. M. O. 120 OHM 1/2W +/-5%	1	R584	
08-02988T-VMY	18-FG0221-JHX	RES. M. O. 220 OHM 2W +/-5%	1	R596	
08-02988T-VMY	25-BJA330-M1X	CAP. ELEC 33 UF 160V +/-20%	1	C568	
08-02988T-VMY	26-AIC472-KBX	CAP. CER 4700 PF 500V +/-10% B	1	C565	
08-02988T-VMY	26-AIC472-KBX	CAP. CER 4700 PF 500V +/-10% B	1	C566	
08-02988T-VMY	26-AIC560-JZX	CAP. CER 56 PF 500V +/-5% SL	1	C571	
08-02988T-VMY	26-EBP680-JZX	CAP. CER 68PF 50V +/-5% SL TUBE	1	C555	
08-02988T-VMY	26-EBP680-JZX	CAP. CER 68PF 50V +/-5% SL TUBE	1	C564	
08-02988T-VMY	26-EBP680-JZX	CAP. CER 68PF 50V +/-5% SL TUBE	1	C562	
08-02988T-VMY	27-AGQ104-JOX	CAP. M. PP 0.1 UF 250V +/-5%	1	C570	
08-02988T-VMY	34-A608K6-1BX	COIL CHOKE 0.6 UH +/-10%	1	L554	
08-02988T-VMY	34-R101J2-0EX	COIL PL - 100 UH +/-5%	1	L551	
08-02988T-VMY	34-R101J2-0EX	COIL PL - 100 UH +/-5%	1	L555	
08-02988T-VMY	34-R390J2-0EX	COIL PL - 39 UH +/-5%	1	L553	
08-02988T-VMY	41-WJ0075-B00	WIRE BARE JUMPER 7.5MM	1	J701	
08-02988T-VMY	43-YBL25E-180	LUMINANCE DELAY LINE YBL25E18	1	T551	
08-02988T-VMY	46-32274H-03X	HS 3P24 380 TJC3-3Y/SCN-3Y	1	P504	FOR M. BD P401
08-02988T-VMY	46-33079W-03X	PIN BASE *3 TJC3-3A	1	P506	FOR CRT VM
08-02988T-VMY	63-W26080-0B4	S/T SCREW W 2.6 X 8 OB	2		MTG VM BD TO CRT
08-02988T-VMY	64-B30080-104	M/C SCREW B 3 X 8	2		FOR Q561 & Q560
08-02988T-VMY	67-H34464-1A0	HEAT SINK (H=40MM)	2		FOR Q560 & Q561
08-02988T-VMY	10-0FR104-FBX	DIODE FR104 (FAST RECTIFIER)	1	D558	

Parent Item No.	Item No.	Description	Quantity	Designator	Remarks
08-02988T-VMY	10-0FR104-FBX	DIODE FR104 (FAST RECTIFIER)	1	D559	
08-02988T-VMY	25-BCB101-M1X	CAP. ELEC 100 UF 16V +/-20%	1	C567	
08-02988T-VMY	25-BCB101-M1X	CAP. ELEC 100 UF 16V +/-20%	1	C569	
08-02988T-VMY	25-BDB100-M1X	CAP. ELEC 10 UF 25V +/-20%	1	C551	
08-02988T-VMY	25-BDB100-M1X	CAP. ELEC 10 UF 25V +/-20%	1	C563	
08-02988T-VMY	25-BDB100-M1X	CAP. ELEC 10 UF 25V +/-20%	1	C558	
08-02988T-VMY	25-BDB100-M1X	CAP. ELEC 10 UF 25V +/-20%	1	C561	
08-02988T-VMY	25-BDB101-M1X	CAP. ELEC 100 UF 25V +/-20%	1	C557	
08-02988T-VMY	25-BDB220-M1X	CAP. ELEC 22 UF 25V +/-20%	1	C553	
08-02988T-VMY	25-BDB221-M1X	CAP. ELEC 220 UF 25V +/-20%	1	C552	
08-02988T-VMY	25-BFB470-M1X	CAP. ELEC 47 UF 50V +/-20%	1	C556	
08-02988T-VMY	40-2980UA-VMC	P. C. B. VM BD	1		
08-02988T-VMY	34-A240K0-1IX	COIL CHOKE 24 UH +/-10%	1	L552	
08-02988T-VMY	26-EBP104-ZFX	CAP. CER 0.1UF 50V +80%/-20%	1	C559	
08-02988T-VMY	46-30780H-04X	HS 4P 2468#24 390 TJC3-4Y/SCN-4Y	1	P505	FOR M. BD P202
03-29604T-AA3	08-29604T-FCN	ASS'Y - FRONT CABINET	1		
08-29604T-FCN	02-GND029-XX0	ASS'Y-CRT GND WIRE & HOUS. (29)	1		
08-29604T-FCN	25-DFB478-M1X	CAP. ELEC 0.47 UF 50V +/-20%NP	1	C1	
08-29604T-FCN	25-DFB478-M1X	CAP. ELEC 0.47 UF 50V +/-20%NP	1	C2	
08-29604T-FCN	36-DEG290-XX1	DEGAUSSING COIL 3100MM	1		
08-29604T-FCN	42-G3508D-XX0	SPEAKER 8 OHM 5W	1	SP601A	
08-29604T-FCN	42-G3508D-XX0	SPEAKER 8 OHM 5W	1	SP602A	
08-29604T-FCN	44-29RFLS-OR3A	CRT A68QDL082X012 (B) (AUST)	1	CRT01	
08-29604T-FCN	46-27264H-02X	HS 2P24 700/5 F/W S11-02H	1		P601H FOR RED TO C1, WHITE TO SP601A"-"
08-29604T-FCN	46-35009H-02X	HS 2P22 320/5 SM-2Y	1		FOR RED TO C1, WHITE TO SP601A"-",
08-29604T-FCN	46-35009H-02X	HS 2P22 320/5 SM-2Y	1		FOR RED TO C2, WHITE TO SP602A"-"
08-29604T-FCN	46-35102H-03X	HS 2P 2468#22 200/5 TJC3-3Y	1		FOR VM BD P506
08-29604T-FCN	46-35197H-02X	HS 2P22 700/7 TJC3-2Y	1		P602H FOR RED TO C2, WHITE TO SP602A"-"
08-29604T-FCN	54-113970-0U0	PVC TUBE #5 L=ROLL	0.32		FOR P601H & P602H
08-29604T-FCN	54-205130-000	SPACER CRT MOUNTING T=3MM	2		

Parent Item No.	Item No.	Description	Quantity	Designator	Remarks
08-29604T-FCN	54-205140-000	SPACER CRT MOUNTING T=2MM	4		MTG CRT TO F. CAB
08-29604T-FCN	54-314740-0X0	CRT FIBRE SHEET (22mmX22mmX0.8mm)	10		MTG CRT TO F. CAB
08-29604T-FCN	55-2960FC-1AN	FRONT CABINET	1		
08-29604T-FCN	56-2960FB-0HA	PUSH BUTTON	1		
08-29604T-FCN	56-2960LE-0HC	LNES	1		
08-29604T-FCN	56-2960PK-0HA	POWER KNOB	1		
08-29604T-FCN	59-130460-00X	RUBBER PAD (25mmX7mm)	2		STICK ON F. CAB(FOOTING)
08-29604T-FCN	62-10654X-00F	UNI-TIE (2.5mmX95mm)	13		
08-29604T-FCN	62-216340-0UA	HOLDER POWER CORD	1		
08-29604T-FCN	62-216780-00D	PLATIC TAPE 12"	1		
08-29604T-FCN	62-262660-0HA	POWER SW. ADAPTER	1		
08-29604T-FCN	63-B30080-BT4	S/T SCREW B 3 X 8 BT	4		MTG HI - SPK & FRONT CAB.
08-29604T-FCN	63-B30100-BT4	S/T SCREW B 3 X 10 BT	1		MTG LEN & FRONT CAB.
08-29604T-FCN	63-B30100-BT4	S/T SCREW B 3 X 10 BT	3		MTG PUSH BUTTON & FRONT CAB.
08-29604T-FCN	63-H60300-BT4	S/T SCREW H 6 X 30 BT	4		MTG CRT & FRONT CAB.
08-29604T-FCN	65-A75200-20E	WASHER 7.5mmX20mmX2mm MTG CRT	4		FOR CRT & FRONT CAB.
08-29604T-FCN	67-216790-0E0	SPRING CRT 6MMX50MMX0.6MM	2		
08-29604T-FCN	67-249700-0E0	SPRING PWR KNOB	1		
03-29604T-AA3	08-29604T-MAN	ASS'Y - MAIN BD	1		
08-29604T-MAN	07-389VI5-NX4	TUNER UV1355-BK2 (BG/HB/IEC/5V	1	TU101	
08-29604T-MAN	10-0BY228-F0X	DIODE BY228	1	D411	
08-29604T-MAN	10-1N4001-EBX	DIODE 1N4001 (RECTIFIER)	1	D301	
08-29604T-MAN	10-1N4148-ABX	DIODE 1N4148 (SWITCHING)	1	D041	
08-29604T-MAN	10-1N4148-ABX	DIODE 1N4148 (SWITCHING)	1	D042	
08-29604T-MAN	10-1N4148-ABX	DIODE 1N4148 (SWITCHING)	1	D043	
08-29604T-MAN	10-1N4148-ABX	DIODE 1N4148 (SWITCHING)	1	D044	
08-29604T-MAN	10-1N4148-ABX	DIODE 1N4148 (SWITCHING)	1	D211	
08-29604T-MAN	10-1N4148-ABX	DIODE 1N4148 (SWITCHING)	1	D212	
08-29604T-MAN	10-1N4148-ABX	DIODE 1N4148 (SWITCHING)	1	D213	
08-29604T-MAN	10-1N4148-ABX	DIODE 1N4148 (SWITCHING)	1	D221	

Parent Item No.	Item No.	Description	Quantity	Designator	Remarks
08-29604T-MAN	10-1N4148-ABX	DIODE 1N4148 (SWITCHING)	1	D223	
08-29604T-MAN	10-1N4148-ABX	DIODE 1N4148 (SWITCHING)	1	D280	
08-29604T-MAN	10-1N4148-ABX	DIODE 1N4148 (SWITCHING)	1	D632	
08-29604T-MAN	10-1N4148-ABX	DIODE 1N4148 (SWITCHING)	1	D711	
08-29604T-MAN	10-1N4148-ABX	DIODE 1N4148 (SWITCHING)	1	D721	
08-29604T-MAN	10-79C12V-DBX	DIODE ZENER 12V 1/2W 5%	1	D731	
08-29604T-MAN	10-79C12V-DBX	DIODE ZENER 12V 1/2W 5%	1	D732	
08-29604T-MAN	10-79C4V7-DBX	DIODE ZENER 4V7 1/2W 5%	1	D222	
08-29604T-MAN	10-79C5V1-DBX	DIODE ZENER 5V1 1/2W 5%	1	D061	
08-29604T-MAN	10-79C5V1-DBX	DIODE ZENER 5V1 1/2W 5%	1	D101	
08-29604T-MAN	10-79C8V2-DBX	DIODE ZENER 8V2 1/2W 5%	1	D471	
08-29604T-MAN	10-79C8V2-DBX	DIODE ZENER 8V2 1/2W 5%	1	D240	
08-29604T-MAN	10-0FR104-FBX	DIODE FR104 (FAST RECTIFIER)	1	D412	
08-29604T-MAN	10-0FR104-FBX	DIODE FR104 (FAST RECTIFIER)	1	D421	
08-29604T-MAN	10-0FR104-FBX	DIODE FR104 (FAST RECTIFIER)	1	D431	
08-29604T-MAN	10-0FR104-FBX	DIODE FR104 (FAST RECTIFIER)	1	D441	
08-29604T-MAN	11-0BC337-OBX	TRANSISTOR (NPN) BC337-40	1	Q062	
08-29604T-MAN	11-2N3904-OBX	TRANSISTOR 2N3904 (NPN)	1	Q091	
08-29604T-MAN	11-DD2553-0AX	TRANSISTOR (HORIZ) 3DD2553	1	Q412	
08-29604T-MAN	11-SA1015-YBX	TRANSISTOR 2SA1015Y	1	Q061	
08-29604T-MAN	11-SA1015-YBX	TRANSISTOR 2SA1015Y	1	Q211	
08-29604T-MAN	11-SA1015-YBX	TRANSISTOR 2SA1015Y	1	Q633	
08-29604T-MAN	11-SA1015-YBX	TRANSISTOR 2SA1015Y	1	Q721	
08-29604T-MAN	11-SA1015-YBX	TRANSISTOR 2SA1015Y	1	Q934	
08-29604T-MAN	11-SA1015-YBX	TRANSISTOR 2SA1015Y	1	Q242	
08-29604T-MAN	11-SC1815-YBX	TRANSISTOR 2SC1815Y	1	Q001	
08-29604T-MAN	11-SC1815-YBX	TRANSISTOR 2SC1815Y	1	Q002	
08-29604T-MAN	11-SC1815-YBX	TRANSISTOR 2SC1815Y	1	Q031	
08-29604T-MAN	11-SC1815-YBX	TRANSISTOR 2SC1815Y	1	Q051	
08-29604T-MAN	11-SC1815-YBX	TRANSISTOR 2SC1815Y	1	Q251	

Parent Item No.	Item No.	Description	Quantity	Designator	Remarks
08-29604T-MAN	11-SC1815-YBX	TRANSISTOR 2SC1815Y	1	Q252	
08-29604T-MAN	11-SC1815-YBX	TRANSISTOR 2SC1815Y	1	Q261	
08-29604T-MAN	11-SC1815-YBX	TRANSISTOR 2SC1815Y	1	Q451	
08-29604T-MAN	11-SC1815-YBX	TRANSISTOR 2SC1815Y	1	Q631	
08-29604T-MAN	11-SC1815-YBX	TRANSISTOR 2SC1815Y	1	Q711	
08-29604T-MAN	11-SC1815-YBX	TRANSISTOR 2SC1815Y	1	Q911	
08-29604T-MAN	11-SC1815-YBX	TRANSISTOR 2SC1815Y	1	Q912	
08-29604T-MAN	11-SC1815-YBX	TRANSISTOR 2SC1815Y	1	Q913	
08-29604T-MAN	11-SC1815-YBX	TRANSISTOR 2SC1815Y	1	Q921	
08-29604T-MAN	11-SC1815-YBX	TRANSISTOR 2SC1815Y	1	Q922	
08-29604T-MAN	11-SC1815-YBX	TRANSISTOR 2SC1815Y	1	Q923	
08-29604T-MAN	11-SC1815-YBX	TRANSISTOR 2SC1815Y	1	Q931	
08-29604T-MAN	11-SC1815-YBX	TRANSISTOR 2SC1815Y	1	Q932	
08-29604T-MAN	11-SC1815-YBX	TRANSISTOR 2SC1815Y	1	Q933	
08-29604T-MAN	11-SC1815-YBX	TRANSISTOR 2SC1815Y	1	Q963	
08-29604T-MAN	11-SC1815-YBX	TRANSISTOR 2SC1815Y	1	Q964	
08-29604T-MAN	11-SC1815-YBX	TRANSISTOR 2SC1815Y	1	Q971	
08-29604T-MAN	11-SC1815-YBX	TRANSISTOR 2SC1815Y	1	Q981	
08-29604T-MAN	11-SC1815-YBX	TRANSISTOR 2SC1815Y	1	Q991	
08-29604T-MAN	11-SC3779-DBX	TRANSISTOR 2SC3779D (RF AMPL)	1	Q121	
08-29604T-MAN	11-SC4544-0AX	TRANSISTOR 2SC4544	1	Q401	
08-29604T-MAN	11-SD1499-QAX	TRANSISTOR 2SD1499Q (POWER)	1	Q722	
08-29604T-MAN	11-SK2541-0BX	TRANSISTOR 2SK2541 (N-CHANNEL)	1	Q052	
08-29604T-MAN	13-000040-52P	IC 4052	1	IC961	
08-29604T-MAN	13-000040-52P	IC 4052	1	IC962	
08-29604T-MAN	13-00M24C-08P	IC EEPROM 8K M24C08	1	IC002	
08-29604T-MAN	13-0TA842-7KS	IC TA8427K	1	IC301	
08-29604T-MAN	13-0TDA26-16S	IC TDA2616 (AUDIO O/P)	1	IC601	
08-29604T-MAN	13-A18V01-TOP	IC TCL-A18V01-TO	1	IC001	
08-29604T-MAN	13-TB1240-ANP	IC TB1240AN	1	IC201	

Parent Item No.	Item No.	Description	Quantity	Designator	Remarks
08-29604T-MAN	18-CB0101-JNX	RES. C. F. 100 OHM 1/6W +/-5%	1	R003	
08-29604T-MAN	18-CB0101-JNX	RES. C. F. 100 OHM 1/6W +/-5%	1	R006	
08-29604T-MAN	18-CB0101-JNX	RES. C. F. 100 OHM 1/6W +/-5%	1	R007	
08-29604T-MAN	18-CB0101-JNX	RES. C. F. 100 OHM 1/6W +/-5%	1	R008	
08-29604T-MAN	18-CB0101-JNX	RES. C. F. 100 OHM 1/6W +/-5%	1	R015	
08-29604T-MAN	18-CB0101-JNX	RES. C. F. 100 OHM 1/6W +/-5%	1	R016	
08-29604T-MAN	18-CB0101-JNX	RES. C. F. 100 OHM 1/6W +/-5%	1	R038	
08-29604T-MAN	18-CB0101-JNX	RES. C. F. 100 OHM 1/6W +/-5%	1	R065	
08-29604T-MAN	18-CB0101-JNX	RES. C. F. 100 OHM 1/6W +/-5%	1	R073	
08-29604T-MAN	18-CB0101-JNX	RES. C. F. 100 OHM 1/6W +/-5%	1	R075	
08-29604T-MAN	18-CB0101-JNX	RES. C. F. 100 OHM 1/6W +/-5%	1	R253	
08-29604T-MAN	18-CB0102-JNX	RES. C. F. 1K OHM 1/6W +/-5%	1	R062	
08-29604T-MAN	18-CB0102-JNX	RES. C. F. 1K OHM 1/6W +/-5%	1	R067	
08-29604T-MAN	18-CB0102-JNX	RES. C. F. 1K OHM 1/6W +/-5%	1	R071	
08-29604T-MAN	18-CB0102-JNX	RES. C. F. 1K OHM 1/6W +/-5%	1	R091	
08-29604T-MAN	18-CB0102-JNX	RES. C. F. 1K OHM 1/6W +/-5%	1	R124	
08-29604T-MAN	18-CB0102-JNX	RES. C. F. 1K OHM 1/6W +/-5%	1	R220	
08-29604T-MAN	18-CB0102-JNX	RES. C. F. 1K OHM 1/6W +/-5%	1	R269	
08-29604T-MAN	18-CB0102-JNX	RES. C. F. 1K OHM 1/6W +/-5%	1	R271	
08-29604T-MAN	18-CB0102-JNX	RES. C. F. 1K OHM 1/6W +/-5%	1	R301	
08-29604T-MAN	18-CB0102-JNX	RES. C. F. 1K OHM 1/6W +/-5%	1	R304	
08-29604T-MAN	18-CB0102-JNX	RES. C. F. 1K OHM 1/6W +/-5%	1	R451	
08-29604T-MAN	18-CB0102-JNX	RES. C. F. 1K OHM 1/6W +/-5%	1	R911	
08-29604T-MAN	18-CB0102-JNX	RES. C. F. 1K OHM 1/6W +/-5%	1	R912	
08-29604T-MAN	18-CB0102-JNX	RES. C. F. 1K OHM 1/6W +/-5%	1	R921	
08-29604T-MAN	18-CB0102-JNX	RES. C. F. 1K OHM 1/6W +/-5%	1	R922	
08-29604T-MAN	18-CB0102-JNX	RES. C. F. 1K OHM 1/6W +/-5%	1	R936	
08-29604T-MAN	18-CB0102-JNX	RES. C. F. 1K OHM 1/6W +/-5%	1	R938	
08-29604T-MAN	18-CB0102-JNX	RES. C. F. 1K OHM 1/6W +/-5%	1	R939	
08-29604T-MAN	18-CB0102-JNX	RES. C. F. 1K OHM 1/6W +/-5%	1	R945	

Parent Item No.	Item No.	Description	Quantity	Designator	Remarks
08-29604T-MAN	18-CB0102-JNX	RES. C. F. 1K OHM 1/6W +/-5%	1	R946	
08-29604T-MAN	18-CB0102-JNX	RES. C. F. 1K OHM 1/6W +/-5%	1	R947	
08-29604T-MAN	18-CB0102-JNX	RES. C. F. 1K OHM 1/6W +/-5%	1	R948	
08-29604T-MAN	18-CB0102-JNX	RES. C. F. 1K OHM 1/6W +/-5%	1	R966	
08-29604T-MAN	18-CB0102-JNX	RES. C. F. 1K OHM 1/6W +/-5%	1	R968	
08-29604T-MAN	18-CB0103-JNX	RES. C. F. 10K OHM 1/6W +/-5%	1	R005	
08-29604T-MAN	18-CB0103-JNX	RES. C. F. 10K OHM 1/6W +/-5%	1	R012A	
08-29604T-MAN	18-CB0103-JNX	RES. C. F. 10K OHM 1/6W +/-5%	1	R017	
08-29604T-MAN	18-CB0103-JNX	RES. C. F. 10K OHM 1/6W +/-5%	1	R029	
08-29604T-MAN	18-CB0103-JNX	RES. C. F. 10K OHM 1/6W +/-5%	1	R031	
08-29604T-MAN	18-CB0103-JNX	RES. C. F. 10K OHM 1/6W +/-5%	1	R040	
08-29604T-MAN	18-CB0103-JNX	RES. C. F. 10K OHM 1/6W +/-5%	1	R051	
08-29604T-MAN	18-CB0103-JNX	RES. C. F. 10K OHM 1/6W +/-5%	1	R054	
08-29604T-MAN	18-CB0103-JNX	RES. C. F. 10K OHM 1/6W +/-5%	1	R055	
08-29604T-MAN	18-CB0103-JNX	RES. C. F. 10K OHM 1/6W +/-5%	1	R061	
08-29604T-MAN	18-CB0103-JNX	RES. C. F. 10K OHM 1/6W +/-5%	1	R101	
08-29604T-MAN	18-CB0103-JNX	RES. C. F. 10K OHM 1/6W +/-5%	1	R102	
08-29604T-MAN	18-CB0103-JNX	RES. C. F. 10K OHM 1/6W +/-5%	1	R225	
08-29604T-MAN	18-CB0103-JNX	RES. C. F. 10K OHM 1/6W +/-5%	1	R237	
08-29604T-MAN	18-CB0103-JNX	RES. C. F. 10K OHM 1/6W +/-5%	1	R633	
08-29604T-MAN	18-CB0103-JNX	RES. C. F. 10K OHM 1/6W +/-5%	1	R716	
08-29604T-MAN	18-CB0103-JNX	RES. C. F. 10K OHM 1/6W +/-5%	1	R722	
08-29604T-MAN	18-CB0103-JNX	RES. C. F. 10K OHM 1/6W +/-5%	1	R757	
08-29604T-MAN	18-CB0103-JNX	RES. C. F. 10K OHM 1/6W +/-5%	1	R960	
08-29604T-MAN	18-CB0103-JNX	RES. C. F. 10K OHM 1/6W +/-5%	1	R961	
08-29604T-MAN	18-CB0103-JNX	RES. C. F. 10K OHM 1/6W +/-5%	1	R962	
08-29604T-MAN	18-CB0103-JNX	RES. C. F. 10K OHM 1/6W +/-5%	1	R989	
08-29604T-MAN	18-CB0104-JNX	RES. C. F. 100K OHM 1/6W +/-5%	1	R053	
08-29604T-MAN	18-CB0104-JNX	RES. C. F. 100K OHM 1/6W +/-5%	1	R206	
08-29604T-MAN	18-CB0104-JNX	RES. C. F. 100K OHM 1/6W +/-5%	1	R917	

Parent Item No.	Item No.	Description	Quantity	Designator	Remarks
08-29604T-MAN	18-CB0104-JNX	RES. C. F. 100K OHM 1/6W +/-5%	1	R918	
08-29604T-MAN	18-CB0104-JNX	RES. C. F. 100K OHM 1/6W +/-5%	1	R919	
08-29604T-MAN	18-CB0104-JNX	RES. C. F. 100K OHM 1/6W +/-5%	1	R926	
08-29604T-MAN	18-CB0104-JNX	RES. C. F. 100K OHM 1/6W +/-5%	1	R927	
08-29604T-MAN	18-CB0104-JNX	RES. C. F. 100K OHM 1/6W +/-5%	1	R928	
08-29604T-MAN	18-CB0104-JNX	RES. C. F. 100K OHM 1/6W +/-5%	1	R929	
08-29604T-MAN	18-CB0104-JNX	RES. C. F. 100K OHM 1/6W +/-5%	1	R973	
08-29604T-MAN	18-CB0104-JNX	RES. C. F. 100K OHM 1/6W +/-5%	1	R983	
08-29604T-MAN	18-CB0104-JNX	RES. C. F. 100K OHM 1/6W +/-5%	1	R056	
08-29604T-MAN	18-CB0104-JNX	RES. C. F. 100K OHM 1/6W +/-5%	1	R205	
08-29604T-MAN	18-CB0106-JNX	RES. C. F. 10M OHM 1/6W +/-5%	1	R116	
08-29604T-MAN	18-CB0123-JNX	RES. C. F. 12k OHM 1/6W +/-5%	1	R244	
08-29604T-MAN	18-CB0123-JNX	RES. C. F. 12k OHM 1/6W +/-5%	1	R951	
08-29604T-MAN	18-CB0124-JNX	RES. C. F. 120K OHM 1/6W +/-5%	1	R287	
08-29604T-MAN	18-CB0133-JNX	RES. C. F. 13k OHM 1/6W +/-5%	1	R452	
08-29604T-MAN	18-CB0151-JNX	RES. C. F. 150 OHM 1/6W +/-5%	1	R127	
08-29604T-MAN	18-CB0151-JNX	RES. C. F. 150 OHM 1/6W +/-5%	1	R934	
08-29604T-MAN	18-CB0151-JNX	RES. C. F. 150 OHM 1/6W +/-5%	1	R935	
08-29604T-MAN	18-CB0151-JNX	RES. C. F. 150 OHM 1/6W +/-5%	1	R994	
08-29604T-MAN	18-CB0152-JNX	RES. C. F. 1.5k OHM 1/6W +/-5%	1	R204	
08-29604T-MAN	18-CB0152-JNX	RES. C. F. 1.5k OHM 1/6W +/-5%	1	R212	
08-29604T-MAN	18-CB0152-JNX	RES. C. F. 1.5k OHM 1/6W +/-5%	1	R213	
08-29604T-MAN	18-CB0152-JNX	RES. C. F. 1.5k OHM 1/6W +/-5%	1	R214	
08-29604T-MAN	18-CB0152-JNX	RES. C. F. 1.5k OHM 1/6W +/-5%	1	R063	
08-29604T-MAN	18-CB0153-JNX	RES. C. F. 15k OHM 1/6W +/-5%	1	R057	
08-29604T-MAN	18-CB0153-JNX	RES. C. F. 15k OHM 1/6W +/-5%	1	R072	
08-29604T-MAN	18-CB0153-JNX	RES. C. F. 15k OHM 1/6W +/-5%	1	R112	
08-29604T-MAN	18-CB0153-JNX	RES. C. F. 15k OHM 1/6W +/-5%	1	R113	
08-29604T-MAN	18-CB0153-JNX	RES. C. F. 15k OHM 1/6W +/-5%	1	R288	
08-29604T-MAN	18-CB0153-JNX	RES. C. F. 15k OHM 1/6W +/-5%	1	R987	

Parent Item No.	Item No.	Description	Quantity	Designator	Remarks
08-29604T-MAN	18-CB0153-JNX	RES. C. F. 15k OHM 1/6W +/-5%	1	R632A	
08-29604T-MAN	18-CB0181-JNX	RES. C. F. 180 OHM 1/6W +/-5%	1	R123	
08-29604T-MAN	18-CB0182-JNX	RES. C. F. 1.8K OHM 1/6W +/-5%	1	R715	
08-29604T-MAN	18-CB0201-JNX	RES. C. F. 200 OHM 1/6W +/-5%	1	R993	
08-29604T-MAN	18-CB0221-JNX	RES. C. F. 220 OHM 1/6W +/-5%	1	R203	
08-29604T-MAN	18-CB0221-JNX	RES. C. F. 220 OHM 1/6W +/-5%	1	R215	
08-29604T-MAN	18-CB0221-JNX	RES. C. F. 220 OHM 1/6W +/-5%	1	R216	
08-29604T-MAN	18-CB0221-JNX	RES. C. F. 220 OHM 1/6W +/-5%	1	R217	
08-29604T-MAN	18-CB0221-JNX	RES. C. F. 220 OHM 1/6W +/-5%	1	R255	
08-29604T-MAN	18-CB0221-JNX	RES. C. F. 220 OHM 1/6W +/-5%	1	R261	
08-29604T-MAN	18-CB0221-JNX	RES. C. F. 220 OHM 1/6W +/-5%	1	R401	
08-29604T-MAN	18-CB0221-JNX	RES. C. F. 220 OHM 1/6W +/-5%	1	R012	
08-29604T-MAN	18-CB0222-JNX	RES. C. F. 2.2k OHM 1/6W +/-5%	1	D215	
08-29604T-MAN	18-CB0222-JNX	RES. C. F. 2.2k OHM 1/6W +/-5%	1	D631	
08-29604T-MAN	18-CB0222-JNX	RES. C. F. 2.2k OHM 1/6W +/-5%	1	R041	
08-29604T-MAN	18-CB0222-JNX	RES. C. F. 2.2k OHM 1/6W +/-5%	1	R042	
08-29604T-MAN	18-CB0222-JNX	RES. C. F. 2.2k OHM 1/6W +/-5%	1	R043	
08-29604T-MAN	18-CB0222-JNX	RES. C. F. 2.2k OHM 1/6W +/-5%	1	R044	
08-29604T-MAN	18-CB0222-JNX	RES. C. F. 2.2k OHM 1/6W +/-5%	1	R242	
08-29604T-MAN	18-CB0222-JNX	RES. C. F. 2.2k OHM 1/6W +/-5%	1	R713	
08-29604T-MAN	18-CB0222-JNX	RES. C. F. 2.2k OHM 1/6W +/-5%	1	R914	
08-29604T-MAN	18-CB0222-JNX	RES. C. F. 2.2k OHM 1/6W +/-5%	1	R924	
08-29604T-MAN	18-CB0222-JNX	RES. C. F. 2.2k OHM 1/6W +/-5%	1	R972	
08-29604T-MAN	18-CB0222-JNX	RES. C. F. 2.2k OHM 1/6W +/-5%	1	R982	
08-29604T-MAN	18-CB0222-JNX	RES. C. F. 2.2k OHM 1/6W +/-5%	1	R988	
08-29604T-MAN	18-CB0222-JNX	RES. C. F. 2.2k OHM 1/6W +/-5%	1	R991	
08-29604T-MAN	18-CB0222-JNX	RES. C. F. 2.2k OHM 1/6W +/-5%	1	R953	
08-29604T-MAN	18-CB0222-JNX	RES. C. F. 2.2k OHM 1/6W +/-5%	1	R954	
08-29604T-MAN	18-CB0223-JNX	RES. C. F. 22k OHM 1/6W +/-5%	1	R092	
08-29604T-MAN	18-CB0223-JNX	RES. C. F. 22k OHM 1/6W +/-5%	1	R631	

Parent Item No.	Item No.	Description	Quantity	Designator	Remarks
08-29604T-MAN	18-CB0223-JNX	RES. C. F. 22k OHM 1/6W +/-5%	1	R915	
08-29604T-MAN	18-CB0223-JNX	RES. C. F. 22k OHM 1/6W +/-5%	1	R916	
08-29604T-MAN	18-CB0223-JNX	RES. C. F. 22k OHM 1/6W +/-5%	1	R920	
08-29604T-MAN	18-CB0223-JNX	RES. C. F. 22k OHM 1/6W +/-5%	1	R925	
08-29604T-MAN	18-CB0223-JNX	RES. C. F. 22k OHM 1/6W +/-5%	1	R952	
08-29604T-MAN	18-CB0224-JNX	RES. C. F. 220k OHM 1/6W +/-5%	1	R251	
08-29604T-MAN	18-CB0271-JNX	RES. C. F. 270 OHM 1/6W +/-5%	1	R711	
08-29604T-MAN	18-CB0272-JNX	RES. C. F. 2.7k OHM 1/6W +/-5%	1	R227	
08-29604T-MAN	18-CB0302-JNX	RES. C. F. 3K OHM 1/6W +/-5%	1	R601	
08-29604T-MAN	18-CB0302-JNX	RES. C. F. 3K OHM 1/6W +/-5%	1	R602	
08-29604T-MAN	18-CB0331-JNX	RES. C. F. 330 OHM 1/6W +/-5%	1	R222	
08-29604T-MAN	18-CB0331-JNX	RES. C. F. 330 OHM 1/6W +/-5%	1	R223	
08-29604T-MAN	18-CB0331-JNX	RES. C. F. 330 OHM 1/6W +/-5%	1	R229	
08-29604T-MAN	18-CB0331-JNX	RES. C. F. 330 OHM 1/6W +/-5%	1	R259	
08-29604T-MAN	18-CB0332-JNX	RES. C. F. 3.3k OHM 1/6W +/-5%	1	R013	
08-29604T-MAN	18-CB0332-JNX	RES. C. F. 3.3k OHM 1/6W +/-5%	1	R014	
08-29604T-MAN	18-CB0332-JNX	RES. C. F. 3.3k OHM 1/6W +/-5%	1	R074	
08-29604T-MAN	18-CB0332-JNX	RES. C. F. 3.3k OHM 1/6W +/-5%	1	R076	
08-29604T-MAN	18-CB0332-JNX	RES. C. F. 3.3k OHM 1/6W +/-5%	1	R111	
08-29604T-MAN	18-CB0332-JNX	RES. C. F. 3.3k OHM 1/6W +/-5%	1	R254	
08-29604T-MAN	18-CB0332-JNX	RES. C. F. 3.3k OHM 1/6W +/-5%	1	R302	
08-29604T-MAN	18-CB0332-JNX	RES. C. F. 3.3k OHM 1/6W +/-5%	1	R472	
08-29604T-MAN	18-CB0333-JNX	RES. C. F. 33K OHM 1/6W +/-5%	1	R114	
08-29604T-MAN	18-CB0333-JNX	RES. C. F. 33K OHM 1/6W +/-5%	1	R208	
08-29604T-MAN	18-CB0333-JNX	RES. C. F. 33K OHM 1/6W +/-5%	1	R289	
08-29604T-MAN	18-CB0333-JNX	RES. C. F. 33K OHM 1/6W +/-5%	1	R714	
08-29604T-MAN	18-CB0393-JNX	RES. C. F. 39K OHM 1/6W +/-5%	1	R314	
08-29604T-MAN	18-CB0470-JNX	RES. C. F. 47 OHM 1/6W +/-5%	1	R021	
08-29604T-MAN	18-CB0470-JNX	RES. C. F. 47 OHM 1/6W +/-5%	1	R077	
08-29604T-MAN	18-CB0470-JNX	RES. C. F. 47 OHM 1/6W +/-5%	1	R084	

Parent Item No.	Item No.	Description	Quantity	Designator	Remarks
08-29604T-MAN	18-CB0470-JNX	RES. C. F. 47 OHM 1/6W +/-5%	1	R085	
08-29604T-MAN	18-CB0470-JNX	RES. C. F. 47 OHM 1/6W +/-5%	1	R940	
08-29604T-MAN	18-CB0471-JNX	RES. C. F. 470 OHM 1/6W +/-5%	1	R125	
08-29604T-MAN	18-CB0471-JNX	RES. C. F. 470 OHM 1/6W +/-5%	1	R252	
08-29604T-MAN	18-CB0471-JNX	RES. C. F. 470 OHM 1/6W +/-5%	1	R931	
08-29604T-MAN	18-CB0471-JNX	RES. C. F. 470 OHM 1/6W +/-5%	1	R932	
08-29604T-MAN	18-CB0472-JNX	RES. C. F. 4.7k OHM 1/6W +/-5%	1	R066	
08-29604T-MAN	18-CB0472-JNX	RES. C. F. 4.7k OHM 1/6W +/-5%	1	R211	
08-29604T-MAN	18-CB0472-JNX	RES. C. F. 4.7k OHM 1/6W +/-5%	1	R965	
08-29604T-MAN	18-CB0472-JNX	RES. C. F. 4.7k OHM 1/6W +/-5%	1	R967	
08-29604T-MAN	18-CB0473-JNX	RES. C. F. 47K OHM 1/6W +/-5%	1	R052	
08-29604T-MAN	18-CB0473-JNX	RES. C. F. 47K OHM 1/6W +/-5%	1	R115	
08-29604T-MAN	18-CB0473-JNX	RES. C. F. 47K OHM 1/6W +/-5%	1	R262	
08-29604T-MAN	18-CB0473-JNX	RES. C. F. 47K OHM 1/6W +/-5%	1	R263	
08-29604T-MAN	18-CB0473-JNX	RES. C. F. 47K OHM 1/6W +/-5%	1	R284	
08-29604T-MAN	18-CB0560-JNX	RES. C. F. 56 OHM 1/6W +/-5%	1	R122	
08-29604T-MAN	18-CB0561-JNX	RES. C. F. 560 OHM 1/6W +/-5%	1	R228	
08-29604T-MAN	18-CB0622-JNX	RES. C. F. 6.2k OHM 1/6W +/-5%	1	R231	
08-29604T-MAN	18-CB0750-JNX	RES. C. F. 75 OHM 1/6W +/-5%	1	R933	
08-29604T-MAN	18-CB0752-JNX	RES. C. F. 7.5K OHM 1/6W +/-5%	1	R221	
08-29604T-MAN	18-CB0820-JNX	RES. C. F. 82 OHM 1/6W +/-5%	1	R913	
08-29604T-MAN	18-CB0820-JNX	RES. C. F. 82 OHM 1/6W +/-5%	1	R923	
08-29604T-MAN	18-CB0820-JNX	RES. C. F. 82 OHM 1/6W +/-5%	1	R971	
08-29604T-MAN	18-CB0820-JNX	RES. C. F. 82 OHM 1/6W +/-5%	1	R981	
08-29604T-MAN	18-CB0822-JNX	RES. C. F. 8.2K OHM 1/6W +/-5%	1	R286	
08-29604T-MAN	18-CB0822-JNX	RES. C. F. 8.2K OHM 1/6W +/-5%	1	R232	
08-29604T-MAN	18-CD0100-JNX	RES. C. F. 10 OHM 1/4W +/-5%	1	R064	
08-29604T-MAN	18-CD0101-JNX	RES. C. F. 100 OHM 1/4W +/-5%	1	R226	
08-29604T-MAN	18-CD0182-JNX	RES. C. F. 1.8K OHM 1/4W +/-5%	1	R313	
08-29604T-MAN	18-CD0222-JNX	RES. C. F. 2.2K OHM 1/4W +/-5%	1	R723	

Parent Item No.	Item No.	Description	Quantity	Designator	Remarks
08-29604T-MAN	18-CD0272-JNX	RES. C. F. 2. 7K OHM 1/4W +/-5%	1	J691	
08-29604T-MAN	18-CD0392-JNX	RES. C. F. 3. 9K OHM 1/4W +/-5%	1	R725	
08-29604T-MAN	18-CD0392-JNX	RES. C. F. 3. 9K OHM 1/4W +/-5%	1	R312	
08-29604T-MAN	18-CD0681-JNX	RES. C. F. 680 OHM 1/4W +/-5%	1	R724	
08-29604T-MAN	18-CD0829-JNX	RES. C. F. 8. 2 OHM 1/4W +/-5%	1	R607	
08-29604T-MAN	18-CD0829-JNX	RES. C. F. 8. 2 OHM 1/4W +/-5%	1	R608	
08-29604T-MAN	18-CE0121-JNX	RES. C. F. 120 OHM 1/2W +/-5%	1	R731	
08-29604T-MAN	18-CE0229-JNX	RES. C. F. 2. 2 OHM 1/2W +/-5%	1	R305	
08-29604T-MAN	18-CE0470-JNX	RES. C. F. 47 OHM 1/2W +/-5%	1	R103	
08-29604T-MAN	18-EG0109-JHX	RES. FUS. 1 OHM 2W +/-5%	1	R431	
08-29604T-MAN	18-EG0689-JHX	RES. FUSE 6. 8 OHM 2W +/-5%	1	R461	
08-29604T-MAN	18-FE0121-JNX	RES. M. O. 120 OHM 1/2W +/-5%	1	R306	
08-29604T-MAN	18-FE0472-JNX	RES. M. O. 4. 7K OHM 1/2W +/-5%	1	R471	
08-29604T-MAN	18-FF0103-JGX	RES. M. O. 10K OHM 1W +/-5%	1	R421	
08-29604T-MAN	18-FF0221-JGX	RES. M. O. F 220 OHM 1W +/-5%	1	R307	
08-29604T-MAN	18-FF0242-JGX	RES. M. O. 2. 4K OHM 1W +/-5%	1	R402	
08-29604T-MAN	18-FF0681-JGX	RES. M. O. 680 OHM 1W +/-5%	1	R411	
08-29604T-MAN	18-FG0100-JHX	RES. M. O. 10 OHM 2W +/-5%	1	J211	
08-29604T-MAN	18-FG0399-JHX	RES. M. O. 3. 9 OHM 2W +/-5%	1	R726	
08-29604T-MAN	18-FG0479-JHX	RES. M. O. F 4. 7 OHM 2W +/-5%	1	R303	
08-29604T-MAN	18-GF0109-JGX	RES WIRE ROUND 1 OHM 1W +/-5%	1	R311	
08-29604T-MAN	18-GG0109-JHX	RES WIRE ROUND 1 OHM 2W +/-5%	1	R422	
08-29604T-MAN	18-GM0302-KTX	RES. CEMENT 3K OHM 7W +/-10%	1	R404	
08-29604T-MAN	25-264610-M1X		1	C417	
08-29604T-MAN	25-BKA100-M1X	CAP. ELEC 10 UF 200V +/-20%	1	C421	
08-29604T-MAN	25-BKG101-M1X	CAP. ELEC 100 UF 200V +/-20%	1	C422	
08-29604T-MAN	25-BLA100-M1X	CAP. ELEC 10 UF 250V +/-20%	1	C442	
08-29604T-MAN	25-GFB109-K1X	CAP. ELEC 1UF 50V +/-10%	1	C223	
08-29604T-MAN	26-ABC104-ZFX	CAP. CER 0. 1 UF 50V +80-20% F	1		FOR R038(R040) TO R036(GND)
08-29604T-MAN	26-AIC221-KBX	CAP. CER 220 PF 500V +/-10% B	1	C431	

Parent Item No.	Item No.	Description	Quantity	Designator	Remarks
08-29604T-MAN	26-AIC221-KBX	CAP. CER 220 PF 500V +/-10% B	1	C441	
08-29604T-MAN	26-AIC332-KBX	CAP. CER 3300 PF 500V +/-10% B	1	C402	
08-29604T-MAN	26-AIC391-KBX	CAP. CER 390 PF 500V +/-10% B	1	C403	
08-29604T-MAN	26-AIM103-KBX	CAP. CER 0.01UF 500V +/-10% B	1	C401	
08-29604T-MAN	26-EBP101-JCX	CAP. CER 100PF 50V +/-5% CH	1	C032	
08-29604T-MAN	26-EBP101-JCX	CAP. CER 100PF 50V +/-5% CH	1	C071	
08-29604T-MAN	26-EBP101-JCX	CAP. CER 100PF 50V +/-5% CH	1	C254	
08-29604T-MAN	26-EBP101-JCX	CAP. CER 100PF 50V +/-5% CH	1	C255	
08-29604T-MAN	26-EBP101-JCX	CAP. CER 100PF 50V +/-5% CH	1	C272	
08-29604T-MAN	26-EBP102-KBX	CAP. CER 1000 PF 50V +/-10% B	1	C001	
08-29604T-MAN	26-EBP102-KBX	CAP. CER 1000 PF 50V +/-10% B	1	C002	
08-29604T-MAN	26-EBP102-KBX	CAP. CER 1000 PF 50V +/-10% B	1	C013	
08-29604T-MAN	26-EBP102-KBX	CAP. CER 1000 PF 50V +/-10% B	1	C061	
08-29604T-MAN	26-EBP102-KBX	CAP. CER 1000 PF 50V +/-10% B	1	C062	
08-29604T-MAN	26-EBP102-KBX	CAP. CER 1000 PF 50V +/-10% B	1	C127	
08-29604T-MAN	26-EBP102-KBX	CAP. CER 1000 PF 50V +/-10% B	1	C224	
08-29604T-MAN	26-EBP102-KBX	CAP. CER 1000 PF 50V +/-10% B	1	C305	
08-29604T-MAN	26-EBP102-KBX	CAP. CER 1000 PF 50V +/-10% B	1	C312	
08-29604T-MAN	26-EBP102-KBX	CAP. CER 1000 PF 50V +/-10% B	1	C411	
08-29604T-MAN	26-EBP102-KBX	CAP. CER 1000 PF 50V +/-10% B	1	C602	
08-29604T-MAN	26-EBP102-KBX	CAP. CER 1000 PF 50V +/-10% B	1	C606	
08-29604T-MAN	26-EBP102-KBX	CAP. CER 1000 PF 50V +/-10% B	1	C942	
08-29604T-MAN	26-EBP102-KBX	CAP. CER 1000 PF 50V +/-10% B	1	C971	
08-29604T-MAN	26-EBP102-KBX	CAP. CER 1000 PF 50V +/-10% B	1	C936	
08-29604T-MAN	26-EBP102-KBX	CAP. CER 1000 PF 50V +/-10% B	1	C937	
08-29604T-MAN	26-EBP103-ZFX	CAP. CER 0.01UF 50V +80/-20% F	1	C075	
08-29604T-MAN	26-EBP103-ZFX	CAP. CER 0.01UF 50V +80/-20% F	1	C083	
08-29604T-MAN	26-EBP103-ZFX	CAP. CER 0.01UF 50V +80/-20% F	1	C111	
08-29604T-MAN	26-EBP103-ZFX	CAP. CER 0.01UF 50V +80/-20% F	1	C121	
08-29604T-MAN	26-EBP103-ZFX	CAP. CER 0.01UF 50V +80/-20% F	1	C125	

Parent Item No.	Item No.	Description	Quantity	Designator	Remarks
08-29604T-MAN	26-EBP103-ZFX	CAP. CER 0.01UF 50V +80/-20% F	1	C126	
08-29604T-MAN	26-EBP103-ZFX	CAP. CER 0.01UF 50V +80/-20% F	1	C203	
08-29604T-MAN	26-EBP103-ZFX	CAP. CER 0.01UF 50V +80/-20% F	1	C205	
08-29604T-MAN	26-EBP103-ZFX	CAP. CER 0.01UF 50V +80/-20% F	1	C215	
08-29604T-MAN	26-EBP103-ZFX	CAP. CER 0.01UF 50V +80/-20% F	1	C226	
08-29604T-MAN	26-EBP103-ZFX	CAP. CER 0.01UF 50V +80/-20% F	1	C229	
08-29604T-MAN	26-EBP103-ZFX	CAP. CER 0.01UF 50V +80/-20% F	1	C256	
08-29604T-MAN	26-EBP103-ZFX	CAP. CER 0.01UF 50V +80/-20% F	1	C273	
08-29604T-MAN	26-EBP103-ZFX	CAP. CER 0.01UF 50V +80/-20% F	1	C275	
08-29604T-MAN	26-EBP103-ZFX	CAP. CER 0.01UF 50V +80/-20% F	1	C732	
08-29604T-MAN	26-EBP103-ZFX	CAP. CER 0.01UF 50V +80/-20% F	1	C935	
08-29604T-MAN	26-EBP103-ZFX	CAP. CER 0.01UF 50V +80/-20% F	1	C961	
08-29604T-MAN	26-EBP103-ZFX	CAP. CER 0.01UF 50V +80/-20% F	1	C962	
08-29604T-MAN	26-EBP104-ZFX	CAP. CER 0.1UF 50V +80%/-20%	1	C107	
08-29604T-MAN	26-EBP104-ZFX	CAP. CER 0.1UF 50V +80%/-20%	1	C114	
08-29604T-MAN	26-EBP104-ZFX	CAP. CER 0.1UF 50V +80%/-20%	1	C204	
08-29604T-MAN	26-EBP104-ZFX	CAP. CER 0.1UF 50V +80%/-20%	1	C609	
08-29604T-MAN	26-EBP104-ZFX	CAP. CER 0.1UF 50V +80%/-20%	1	C635	
08-29604T-MAN	26-EBP104-ZFX	CAP. CER 0.1UF 50V +80%/-20%	1	C745	
08-29604T-MAN	26-EBP104-ZFX	CAP. CER 0.1UF 50V +80%/-20%	1	C945	
08-29604T-MAN	26-EBP120-JCX	CAP. CER 12PF 50V +/-5% CH	1	C209	
08-29604T-MAN	26-EBP150-JCX	CAP. CER 15PF 50V +/-5% CH	1	C041	
08-29604T-MAN	26-EBP150-JCX	CAP. CER 15PF 50V +/-5% CH	1	C042	
08-29604T-MAN	26-EBP150-JCX	CAP. CER 15PF 50V +/-5% CH	1	C043	
08-29604T-MAN	26-EBP150-JCX	CAP. CER 15PF 50V +/-5% CH	1	C044	
08-29604T-MAN	26-EBP220-JCX	CAP. CER 22PF 50V +/-5% CH	1	C053	
08-29604T-MAN	26-EBP220-JCX	CAP. CER 22PF 50V +/-5% CH	1	C054	
08-29604T-MAN	26-EBP221-JCX	CAP. CER 220PF 50V +/-5% CH	1	C011	
08-29604T-MAN	26-EBP221-JCX	CAP. CER 220PF 50V +/-5% CH	1	C021	
08-29604T-MAN	26-EBP221-JCX	CAP. CER 220PF 50V +/-5% CH	1	C092	

Parent Item No.	Item No.	Description	Quantity	Designator	Remarks
08-29604T-MAN	26-EBP221-JCX	CAP. CER 220PF 50V +/-5% CH	1	C112	
08-29604T-MAN	26-EBP221-JCX	CAP. CER 220PF 50V +/-5% CH	1	C228A	
08-29604T-MAN	26-EBP222-KBX	CAP. CER 2200PF 50V +/-10% B	1	C452	
08-29604T-MAN	26-EBP300-JZX	CAP. CER 30PF 50V +/-5% SL	1	C055	
08-29604T-MAN	26-EBP300-JZX	CAP. CER 30PF 50V +/-5% SL	1	C056	
08-29604T-MAN	26-EBP330-JZX	CAP. CER 33PF 50V +/-5% SL TU	1	C128	
08-29604T-MAN	26-EBP330-JZX	CAP. CER 33PF 50V +/-5% SL TU	1	C953	
08-29604T-MAN	26-EBP331-JCX	CAP. CER 330PF 50V +/-5% CH	1	C004	
08-29604T-MAN	26-EBP331-JCX	CAP. CER 330PF 50V +/-5% CH	1	C063	
08-29604T-MAN	26-EBP331-JCX	CAP. CER 330PF 50V +/-5% CH	1	C084	
08-29604T-MAN	26-EBP331-JCX	CAP. CER 330PF 50V +/-5% CH	1	C085	
08-29604T-MAN	26-EBP331-JCX	CAP. CER 330PF 50V +/-5% CH	1	C091	
08-29604T-MAN	26-EBP331-JCX	CAP. CER 330PF 50V +/-5% CH	1	C301	
08-29604T-MAN	26-EBP390-JCX	CAP. CER 39PF 50V +/-5% CH	1	C051	
08-29604T-MAN	26-EBP470-JZX	CAP. CER 47PF 50V +/-5% SL	1	C072	
08-29604T-MAN	26-EBP470-JZX	CAP. CER 47PF 50V +/-5% SL	1	C073	
08-29604T-MAN	26-EBP470-JZX	CAP. CER 47PF 50V +/-5% SL	1	C261	
08-29604T-MAN	26-EBP470-JZX	CAP. CER 47PF 50V +/-5% SL	1	T141	
08-29604T-MAN	27-AGR624-JOX	CAP. M. PP 0. 62UF 250V +/-5%	1	C418	
08-29604T-MAN	27-ALQ272-JOX	CAP. M. PP 0. 0027UF 1. 6KV +/-5%	1	C413	
08-29604T-MAN	27-ALQ432-JOX	CAP. M. PP 4300 PF 1. 6KV +/-5%	1	C414	
08-29604T-MAN	27-ALR822-JOX	CAP. M. PP 8200 PF 1. 6KV +/-5%	1	C415	
08-29604T-MAN	27-MBC104-JOX	CAP. M. P. E 0. 1 UF 63V +/-5%	1	C102	
08-29604T-MAN	27-MBC104-JOX	CAP. M. P. E 0. 1 UF 63V +/-5%	1	C211	
08-29604T-MAN	27-MBC104-JOX	CAP. M. P. E 0. 1 UF 63V +/-5%	1	C212	
08-29604T-MAN	27-MBC104-JOX	CAP. M. P. E 0. 1 UF 63V +/-5%	1	C213	
08-29604T-MAN	27-MBC104-JOX	CAP. M. P. E 0. 1 UF 63V +/-5%	1	C242	
08-29604T-MAN	27-MBC104-JOX	CAP. M. P. E 0. 1 UF 63V +/-5%	1	C252	
08-29604T-MAN	27-MBC224-JOX	CAP. M. P. E 0. 22UF 63V +/-5%	1	C113	
08-29604T-MAN	27-MBC224-JOX	CAP. M. P. E 0. 22UF 63V +/-5%	1	C307	

Parent Item No.	Item No.	Description	Quantity	Designator	Remarks
08-29604T-MAN	27-MBC474-J0X	CAP. M. P. E 0. 47UF 63V +/-5%	1	C225	
08-29604T-MAN	27-MBC474-J0X	CAP. M. P. E 0. 47UF 63V +/-5%	1	C243	
08-29604T-MAN	27-MBC474-J0X	CAP. M. P. E 0. 47UF 63V +/-5%	1	C603	
08-29604T-MAN	27-MBC474-J0X	CAP. M. P. E 0. 47UF 63V +/-5%	1	C604	
08-29604T-MAN	27-MCC562-J0X	CAP. M. P. E 5600PF 100V +/-5%	1	C471	
08-29604T-MAN	27-PBC103-J0X	CAP. P. E. 0. 01UF 63V +/-5%	1	C052	
08-29604T-MAN	27-PBC222-J0X	CAP. P. E 0. 0022UF 63V +/-5%	1	C207	
08-29604T-MAN	27-PBC222-J0X	CAP. P. E 0. 0022UF 63V +/-5%	1	C221	
08-29604T-MAN	27-PBC223-J0X	CAP. P. E 0. 022 UF 63V +/-5%	1	C611	
08-29604T-MAN	27-PBC223-J0X	CAP. P. E 0. 022 UF 63V +/-5%	1	C612	
08-29604T-MAN	27-PBC333-J0X	CAP. P. E 0. 033UF 63V +/-5%	1	C302	
08-29604T-MAN	27-PBC393-J0X	CAP. P. E 0. 039UF 63V +/-5%	1	C308	
08-29604T-MAN	27-PBC472-J0X	CAP. P. E 0. 0047UF 63V +/-5%	1	C244	
08-29604T-MAN	27-PBC563-J0X	CAP. P. E 0. 056 UF 63V +/-5%	1	C304	
08-29604T-MAN	27-RHQ223-J0X	CAP. PP 0. 022 UF 400V +/-5%	1	C416	
08-29604T-MAN	27-RHQ563-J0X	CAP. PP 0. 056 UF 400V +/-5%	1	C451	
08-29604T-MAN	34-A608K6-1BX	COIL CHOKE 0. 6 UH +/-10%	1	L412	
08-29604T-MAN	34-R100J2-0EX	COIL PL - 10 UH +/-5%	1	L252	
08-29604T-MAN	34-R101J2-0EX	COIL PL - 100 UH +/-5%	1	L201	
08-29604T-MAN	34-R101J2-0EX	COIL PL - 100 UH +/-5%	1	L211	
08-29604T-MAN	34-R101J2-0EX	COIL PL - 100 UH +/-5%	1	L271	
08-29604T-MAN	34-R120J2-0EX	COIL PL - 12 UH +/-5%	1	L256	
08-29604T-MAN	34-R220J2-0EX	COIL PL - 22 UH +/-5%	1	L051	
08-29604T-MAN	34-R220J2-0EX	COIL PL - 22 UH +/-5%	1	L081	
08-29604T-MAN	34-R220J2-0EX	COIL PL - 22 UH +/-5%	1	L251	
08-29604T-MAN	34-R229J2-0EX	COIL PL - 2. 2 UH +/-5%	1	L053	
08-29604T-MAN	36-HDR001-XX1	TRANSFORMER HORIZ DRIVE	1	T401	
08-29604T-MAN	36-LIN240-XX1	COIL LINEARITY 24 UH	1	L413	
08-29604T-MAN	36-WID601-XX1	COIL CHOKE 600 UH	1	L414	
08-29604T-MAN	37-SC2901-58BOX	FLYBACK BSC29-0158B	1	T461	

Parent Item No.	Item No.	Description	Quantity	Designator	Remarks
08-29604T-MAN	38-236560-00X	COIL I. F. T. 236560 FOR VCO	1	T271	
08-29604T-MAN	40-2916MT-MAH	P. C. B. MAIN BD	1		
08-29604T-MAN	41-BF0100-3BB	WIRE UL 1007 #24 100MM ORG	1		FOR P1 - P1
08-29604T-MAN	41-WJ0050-B00	WIRE BARE JUMPER 5MM	1		FOR Q241 (B - E)
08-29604T-MAN	41-WJ0050-B00	WIRE BARE JUMPER 5MM	1	C262	
08-29604T-MAN	41-WJ0050-B00	WIRE BARE JUMPER 5MM	1	C946	
08-29604T-MAN	41-WJ0050-B00	WIRE BARE JUMPER 5MM	1	J022	
08-29604T-MAN	41-WJ0050-B00	WIRE BARE JUMPER 5MM	1	J410A	
08-29604T-MAN	41-WJ0050-B00	WIRE BARE JUMPER 5MM	1	J415	
08-29604T-MAN	41-WJ0050-B00	WIRE BARE JUMPER 5MM	1	J416	
08-29604T-MAN	41-WJ0050-B00	WIRE BARE JUMPER 5MM	1	J417	
08-29604T-MAN	41-WJ0050-B00	WIRE BARE JUMPER 5MM	1	J418	
08-29604T-MAN	41-WJ0050-B00	WIRE BARE JUMPER 5MM	1	J419	
08-29604T-MAN	41-WJ0050-B00	WIRE BARE JUMPER 5MM	1	J420	
08-29604T-MAN	41-WJ0050-B00	WIRE BARE JUMPER 5MM	1	J435	
08-29604T-MAN	41-WJ0050-B00	WIRE BARE JUMPER 5MM	1	J436	
08-29604T-MAN	41-WJ0050-B00	WIRE BARE JUMPER 5MM	1	J437	
08-29604T-MAN	41-WJ0050-B00	WIRE BARE JUMPER 5MM	1	J636	
08-29604T-MAN	41-WJ0050-B00	WIRE BARE JUMPER 5MM	1	J637	
08-29604T-MAN	41-WJ0050-B00	WIRE BARE JUMPER 5MM	1	J773	
08-29604T-MAN	41-WJ0050-B00	WIRE BARE JUMPER 5MM	1	J871	
08-29604T-MAN	41-WJ0050-B00	WIRE BARE JUMPER 5MM	1	J954	
08-29604T-MAN	41-WJ0050-B00	WIRE BARE JUMPER 5MM	1	J955	
08-29604T-MAN	41-WJ0050-B00	WIRE BARE JUMPER 5MM	1	C661	
08-29604T-MAN	41-WJ0050-B00	WIRE BARE JUMPER 5MM	1	C662	
08-29604T-MAN	41-WJ0060-B00	WIRE BARE JUMPER 6mm	1	J022A	
08-29604T-MAN	41-WJ0060-B00	WIRE BARE JUMPER 6mm	1	J044	
08-29604T-MAN	41-WJ0060-B00	WIRE BARE JUMPER 6mm	1	J123	
08-29604T-MAN	41-WJ0060-B00	WIRE BARE JUMPER 6mm	1	J132	
08-29604T-MAN	41-WJ0060-B00	WIRE BARE JUMPER 6mm	1	J141	

Parent Item No.	Item No.	Description	Quantity	Designator	Remarks
08-29604T-MAN	41-WJ0060-B00	WIRE BARE JUMPER 6mm	1	J229	
08-29604T-MAN	41-WJ0060-B00	WIRE BARE JUMPER 6mm	1	J230	
08-29604T-MAN	41-WJ0060-B00	WIRE BARE JUMPER 6mm	1	J232	
08-29604T-MAN	41-WJ0060-B00	WIRE BARE JUMPER 6mm	1	J242	
08-29604T-MAN	41-WJ0060-B00	WIRE BARE JUMPER 6mm	1	J261	
08-29604T-MAN	41-WJ0060-B00	WIRE BARE JUMPER 6mm	1	J301	
08-29604T-MAN	41-WJ0060-B00	WIRE BARE JUMPER 6mm	1	J338	
08-29604T-MAN	41-WJ0060-B00	WIRE BARE JUMPER 6mm	1	J401	
08-29604T-MAN	41-WJ0060-B00	WIRE BARE JUMPER 6mm	1	J421	
08-29604T-MAN	41-WJ0060-B00	WIRE BARE JUMPER 6mm	1	J512	
08-29604T-MAN	41-WJ0060-B00	WIRE BARE JUMPER 6mm	1	J523	
08-29604T-MAN	41-WJ0060-B00	WIRE BARE JUMPER 6mm	1	J543	
08-29604T-MAN	41-WJ0060-B00	WIRE BARE JUMPER 6mm	1	J601	
08-29604T-MAN	41-WJ0060-B00	WIRE BARE JUMPER 6mm	1	J633	
08-29604T-MAN	41-WJ0060-B00	WIRE BARE JUMPER 6mm	1	J732	
08-29604T-MAN	41-WJ0060-B00	WIRE BARE JUMPER 6mm	1	J733	
08-29604T-MAN	41-WJ0060-B00	WIRE BARE JUMPER 6mm	1	J825	
08-29604T-MAN	41-WJ0060-B00	WIRE BARE JUMPER 6mm	1	J826	
08-29604T-MAN	41-WJ0060-B00	WIRE BARE JUMPER 6mm	1	J832	
08-29604T-MAN	41-WJ0060-B00	WIRE BARE JUMPER 6mm	1	J834	
08-29604T-MAN	41-WJ0060-B00	WIRE BARE JUMPER 6mm	1	J836	
08-29604T-MAN	41-WJ0060-B00	WIRE BARE JUMPER 6mm	1	J837	
08-29604T-MAN	41-WJ0060-B00	WIRE BARE JUMPER 6mm	1	J838	
08-29604T-MAN	41-WJ0060-B00	WIRE BARE JUMPER 6mm	1	J911	
08-29604T-MAN	41-WJ0060-B00	WIRE BARE JUMPER 6mm	1	J921	
08-29604T-MAN	41-WJ0060-B00	WIRE BARE JUMPER 6mm	1	R023	
08-29604T-MAN	41-WJ0060-B00	WIRE BARE JUMPER 6mm	1	R024	
08-29604T-MAN	41-WJ0060-B00	WIRE BARE JUMPER 6mm	1	R025	
08-29604T-MAN	41-WJ0060-B00	WIRE BARE JUMPER 6mm	1	R026	
08-29604T-MAN	41-WJ0060-B00	WIRE BARE JUMPER 6mm	1	R027	

Parent Item No.	Item No.	Description	Quantity	Designator	Remarks
08-29604T-MAN	41-WJ0060-B00	WIRE BARE JUMPER 6mm	1	R028A	
08-29604T-MAN	41-WJ0060-B00	WIRE BARE JUMPER 6mm	1	R028B	
08-29604T-MAN	41-WJ0060-B00	WIRE BARE JUMPER 6mm	1	R028C	
08-29604T-MAN	41-WJ0060-B00	WIRE BARE JUMPER 6mm	1	R126	
08-29604T-MAN	41-WJ0060-B00	WIRE BARE JUMPER 6mm	1	R224	
08-29604T-MAN	41-WJ0060-B00	WIRE BARE JUMPER 6mm	1	R241	
08-29604T-MAN	41-WJ0065-B00	WIRE BARE JUMPER 6.5MM	1	J511	
08-29604T-MAN	41-WJ0065-B00	WIRE BARE JUMPER 6.5MM	1	J514	
08-29604T-MAN	41-WJ0065-B00	WIRE BARE JUMPER 6.5MM	1	J615	
08-29604T-MAN	41-WJ0065-B00	WIRE BARE JUMPER 6.5MM	1	J632	
08-29604T-MAN	41-WJ0065-B00	WIRE BARE JUMPER 6.5MM	1	J725	
08-29604T-MAN	41-WJ0065-B00	WIRE BARE JUMPER 6.5MM	1	J729	
08-29604T-MAN	41-WJ0065-B00	WIRE BARE JUMPER 6.5MM	1	J410	
08-29604T-MAN	41-WJ0065-B00	WIRE BARE JUMPER 6.5MM	1	R238	
08-29604T-MAN	41-WJ0070-B00	WIRE BARE JUMPER 7MM	1	J023	
08-29604T-MAN	41-WJ0070-B00	WIRE BARE JUMPER 7MM	1	J426	
08-29604T-MAN	41-WJ0070-B00	WIRE BARE JUMPER 7MM	1	J513	
08-29604T-MAN	41-WJ0070-B00	WIRE BARE JUMPER 7MM	1	J671	
08-29604T-MAN	41-WJ0070-B00	WIRE BARE JUMPER 7MM	1	J672	
08-29604T-MAN	41-WJ0070-B00	WIRE BARE JUMPER 7MM	1	J726	
08-29604T-MAN	41-WJ0070-B00	WIRE BARE JUMPER 7MM	1	J741	
08-29604T-MAN	41-WJ0070-B00	WIRE BARE JUMPER 7MM	1	J233A	
08-29604T-MAN	41-WJ0075-B00	WIRE BARE JUMPER 7.5MM	1	D046	
08-29604T-MAN	41-WJ0075-B00	WIRE BARE JUMPER 7.5MM	1	D141	
08-29604T-MAN	41-WJ0075-B00	WIRE BARE JUMPER 7.5MM	1	J041	
08-29604T-MAN	41-WJ0075-B00	WIRE BARE JUMPER 7.5MM	1	J043	
08-29604T-MAN	41-WJ0075-B00	WIRE BARE JUMPER 7.5MM	1	J124	
08-29604T-MAN	41-WJ0075-B00	WIRE BARE JUMPER 7.5MM	1	J151	
08-29604T-MAN	41-WJ0075-B00	WIRE BARE JUMPER 7.5MM	1	J152	
08-29604T-MAN	41-WJ0075-B00	WIRE BARE JUMPER 7.5MM	1	J154	

Parent Item No.	Item No.	Description	Quantity	Designator	Remarks
08-29604T-MAN	41-WJ0075-B00	WIRE BARE JUMPER 7.5MM	1	J207	
08-29604T-MAN	41-WJ0075-B00	WIRE BARE JUMPER 7.5MM	1	J208	
08-29604T-MAN	41-WJ0075-B00	WIRE BARE JUMPER 7.5MM	1	J217	
08-29604T-MAN	41-WJ0075-B00	WIRE BARE JUMPER 7.5MM	1	J241	
08-29604T-MAN	41-WJ0075-B00	WIRE BARE JUMPER 7.5MM	1	J331	
08-29604T-MAN	41-WJ0075-B00	WIRE BARE JUMPER 7.5MM	1	J351	
08-29604T-MAN	41-WJ0075-B00	WIRE BARE JUMPER 7.5MM	1	J405	
08-29604T-MAN	41-WJ0075-B00	WIRE BARE JUMPER 7.5MM	1	J406	
08-29604T-MAN	41-WJ0075-B00	WIRE BARE JUMPER 7.5MM	1	J407	
08-29604T-MAN	41-WJ0075-B00	WIRE BARE JUMPER 7.5MM	1	J408	
08-29604T-MAN	41-WJ0075-B00	WIRE BARE JUMPER 7.5MM	1	J412	
08-29604T-MAN	41-WJ0075-B00	WIRE BARE JUMPER 7.5MM	1	J414	
08-29604T-MAN	41-WJ0075-B00	WIRE BARE JUMPER 7.5MM	1	J541	
08-29604T-MAN	41-WJ0075-B00	WIRE BARE JUMPER 7.5MM	1	J551	
08-29604T-MAN	41-WJ0075-B00	WIRE BARE JUMPER 7.5MM	1	J642	
08-29604T-MAN	41-WJ0075-B00	WIRE BARE JUMPER 7.5MM	1	J651	
08-29604T-MAN	41-WJ0075-B00	WIRE BARE JUMPER 7.5MM	1	J656	
08-29604T-MAN	41-WJ0075-B00	WIRE BARE JUMPER 7.5MM	1	J693	
08-29604T-MAN	41-WJ0075-B00	WIRE BARE JUMPER 7.5MM	1	J712	
08-29604T-MAN	41-WJ0075-B00	WIRE BARE JUMPER 7.5MM	1	J734	
08-29604T-MAN	41-WJ0075-B00	WIRE BARE JUMPER 7.5MM	1	J812	
08-29604T-MAN	41-WJ0075-B00	WIRE BARE JUMPER 7.5MM	1	J821	
08-29604T-MAN	41-WJ0075-B00	WIRE BARE JUMPER 7.5MM	1	J833	
08-29604T-MAN	41-WJ0075-B00	WIRE BARE JUMPER 7.5MM	1	J851	
08-29604T-MAN	41-WJ0075-B00	WIRE BARE JUMPER 7.5MM	1	J915	
08-29604T-MAN	41-WJ0075-B00	WIRE BARE JUMPER 7.5MM	1	J941	
08-29604T-MAN	41-WJ0075-B00	WIRE BARE JUMPER 7.5MM	1	J544	
08-29604T-MAN	41-WJ0080-B00	WIRE BARE JUMPER 8 MM	1	J425	
08-29604T-MAN	41-WJ0080-B00	WIRE BARE JUMPER 8 MM	1	J443	
08-29604T-MAN	41-WJ0080-B00	WIRE BARE JUMPER 8 MM	1	J453	

Parent Item No.	Item No.	Description	Quantity	Designator	Remarks
08-29604T-MAN	41-WJ0080-B00	WIRE BARE JUMPER 8 MM	1	J201	
08-29604T-MAN	41-WJ0085-B00	WIRE BARE JUMPER 8.5MM	1	J122	
08-29604T-MAN	41-WJ0085-B00	WIRE BARE JUMPER 8.5MM	1	J204	
08-29604T-MAN	41-WJ0085-B00	WIRE BARE JUMPER 8.5MM	1	J205	
08-29604T-MAN	41-WJ0085-B00	WIRE BARE JUMPER 8.5MM	1	J409	
08-29604T-MAN	41-WJ0085-B00	WIRE BARE JUMPER 8.5MM	1	J424	
08-29604T-MAN	41-WJ0085-B00	WIRE BARE JUMPER 8.5MM	1	J441	
08-29604T-MAN	41-WJ0085-B00	WIRE BARE JUMPER 8.5MM	1	J502	
08-29604T-MAN	41-WJ0085-B00	WIRE BARE JUMPER 8.5MM	1	J503	
08-29604T-MAN	41-WJ0085-B00	WIRE BARE JUMPER 8.5MM	1	J553	
08-29604T-MAN	41-WJ0085-B00	WIRE BARE JUMPER 8.5MM	1	J554	
08-29604T-MAN	41-WJ0085-B00	WIRE BARE JUMPER 8.5MM	1	J621	
08-29604T-MAN	41-WJ0085-B00	WIRE BARE JUMPER 8.5MM	1	J723	
08-29604T-MAN	41-WJ0085-B00	WIRE BARE JUMPER 8.5MM	1	J822	
08-29604T-MAN	41-WJ0085-B00	WIRE BARE JUMPER 8.5MM	1	J348	
08-29604T-MAN	41-WJ0090-B00	WIRE BARE JUMPER 9MM	1	J031	
08-29604T-MAN	41-WJ0090-B00	WIRE BARE JUMPER 9MM	1	J634	
08-29604T-MAN	41-WJ0095-B00	WIRE BARE JUMPER 9.5MM	1	J226	
08-29604T-MAN	41-WJ0095-B00	WIRE BARE JUMPER 9.5MM	1	J343	
08-29604T-MAN	41-WJ0095-B00	WIRE BARE JUMPER 9.5MM	1	J344	
08-29604T-MAN	41-WJ0095-B00	WIRE BARE JUMPER 9.5MM	1	J713	
08-29604T-MAN	41-WJ0100-B00	WIRE BARE JUMPER 10MM	1	J001	
08-29604T-MAN	41-WJ0100-B00	WIRE BARE JUMPER 10MM	1	J002	
08-29604T-MAN	41-WJ0100-B00	WIRE BARE JUMPER 10MM	1	J061	
08-29604T-MAN	41-WJ0100-B00	WIRE BARE JUMPER 10MM	1	J134	
08-29604T-MAN	41-WJ0100-B00	WIRE BARE JUMPER 10MM	1	J203	
08-29604T-MAN	41-WJ0100-B00	WIRE BARE JUMPER 10MM	1	J402	
08-29604T-MAN	41-WJ0100-B00	WIRE BARE JUMPER 10MM	1	J423	
08-29604T-MAN	41-WJ0100-B00	WIRE BARE JUMPER 10MM	1	J432	
08-29604T-MAN	41-WJ0100-B00	WIRE BARE JUMPER 10MM	1	J501	

Parent Item No.	Item No.	Description	Quantity	Designator	Remarks
08-29604T-MAN	41-WJ0100-B00	WIRE BARE JUMPER 10MM	1	J611	
08-29604T-MAN	41-WJ0100-B00	WIRE BARE JUMPER 10MM	1	J631	
08-29604T-MAN	41-WJ0100-B00	WIRE BARE JUMPER 10MM	1	J652	
08-29604T-MAN	41-WJ0100-B00	WIRE BARE JUMPER 10MM	1	J653	
08-29604T-MAN	41-WJ0100-B00	WIRE BARE JUMPER 10MM	1	J692	
08-29604T-MAN	41-WJ0100-B00	WIRE BARE JUMPER 10MM	1	J728	
08-29604T-MAN	41-WJ0100-B00	WIRE BARE JUMPER 10MM	1	J735	
08-29604T-MAN	41-WJ0100-B00	WIRE BARE JUMPER 10MM	1	J916	
08-29604T-MAN	41-WJ0100-B00	WIRE BARE JUMPER 10MM	1	J135	
08-29604T-MAN	41-WJ0105-B00	WIRE BARE JUMPER 10.5MM	1	J442	
08-29604T-MAN	41-WJ0105-B00	WIRE BARE JUMPER 10.5MM	1	J622	
08-29604T-MAN	41-WJ0105-B00	WIRE BARE JUMPER 10.5MM	1	J333	
08-29604T-MAN	41-WJ0105-B00	WIRE BARE JUMPER 10.5MM	1	J311	
08-29604T-MAN	41-WJ0110-B00	WIRE BARE JUMPER 11MM	1	J227	
08-29604T-MAN	41-WJ0110-B00	WIRE BARE JUMPER 11MM	1	J228	
08-29604T-MAN	41-WJ0110-B00	WIRE BARE JUMPER 11MM	1	J244	
08-29604T-MAN	41-WJ0110-B00	WIRE BARE JUMPER 11MM	1	J302	
08-29604T-MAN	41-WJ0110-B00	WIRE BARE JUMPER 11MM	1	J313	
08-29604T-MAN	41-WJ0110-B00	WIRE BARE JUMPER 11MM	1	J322	
08-29604T-MAN	41-WJ0110-B00	WIRE BARE JUMPER 11MM	1	J612	
08-29604T-MAN	41-WJ0110-B00	WIRE BARE JUMPER 11MM	1	J614	
08-29604T-MAN	41-WJ0110-B00	WIRE BARE JUMPER 11MM	1	J625	
08-29604T-MAN	41-WJ0110-B00	WIRE BARE JUMPER 11MM	1	JP213	
08-29604T-MAN	41-WJ0110-B00	WIRE BARE JUMPER 11MM	1	J324	
08-29604T-MAN	41-WJ0115-B00	WIRE BARE JUMPER 11.5MM	1	J052	
08-29604T-MAN	41-WJ0115-B00	WIRE BARE JUMPER 11.5MM	1	J627	
08-29604T-MAN	41-WJ0115-B00	WIRE BARE JUMPER 11.5MM	1	J628	
08-29604T-MAN	41-WJ0115-B00	WIRE BARE JUMPER 11.5MM	1	J246	
08-29604T-MAN	41-WJ0115-B00	WIRE BARE JUMPER 11.5MM	1	J522	
08-29604T-MAN	41-WJ0115-B00	WIRE BARE JUMPER 11.5MM	1	J342	

Parent Item No.	Item No.	Description	Quantity	Designator	Remarks
08-29604T-MAN	41-WJ0120-B00	WIRE BARE JUMPER 12MM	1	J051	
08-29604T-MAN	41-WJ0120-B00	WIRE BARE JUMPER 12MM	1	J250	
08-29604T-MAN	41-WJ0120-B00	WIRE BARE JUMPER 12MM	1	J253	
08-29604T-MAN	41-WJ0120-B00	WIRE BARE JUMPER 12MM	1	J254	
08-29604T-MAN	41-WJ0120-B00	WIRE BARE JUMPER 12MM	1	J434	
08-29604T-MAN	41-WJ0120-B00	WIRE BARE JUMPER 12MM	1	J711	
08-29604T-MAN	41-WJ0120-B00	WIRE BARE JUMPER 12MM	1	J644	
08-29604T-MAN	41-WJ0125-B00	WIRE BARE JUMPER 12.5MM	1	J131	
08-29604T-MAN	41-WJ0125-B00	WIRE BARE JUMPER 12.5MM	1	J206	
08-29604T-MAN	41-WJ0125-B00	WIRE BARE JUMPER 12.5MM	1	J218	
08-29604T-MAN	41-WJ0125-B00	WIRE BARE JUMPER 12.5MM	1	J222	
08-29604T-MAN	41-WJ0125-B00	WIRE BARE JUMPER 12.5MM	1	J225	
08-29604T-MAN	41-WJ0125-B00	WIRE BARE JUMPER 12.5MM	1	J233	
08-29604T-MAN	41-WJ0125-B00	WIRE BARE JUMPER 12.5MM	1	J263	
08-29604T-MAN	41-WJ0125-B00	WIRE BARE JUMPER 12.5MM	1	J352	
08-29604T-MAN	41-WJ0125-B00	WIRE BARE JUMPER 12.5MM	1	J643	
08-29604T-MAN	41-WJ0125-B00	WIRE BARE JUMPER 12.5MM	1	J813	
08-29604T-MAN	41-WJ0125-B00	WIRE BARE JUMPER 12.5MM	1	J951	
08-29604T-MAN	41-WJ0125-B00	WIRE BARE JUMPER 12.5MM	1	J981	
08-29604T-MAN	41-WJ0125-B00	WIRE BARE JUMPER 12.5MM	1	J772	
08-29604T-MAN	41-WJ0130-B00	WIRE BARE JUMPER 13MM	1	J239	
08-29604T-MAN	41-WJ0130-B00	WIRE BARE JUMPER 13MM	1	J413	
08-29604T-MAN	41-WJ0130-B00	WIRE BARE JUMPER 13MM	1	J346	
08-29604T-MAN	41-WJ0135-B00	WIRE BARE JUMPER 13.5MM	1	J224	
08-29604T-MAN	41-WJ0135-B00	WIRE BARE JUMPER 13.5MM	1	J236	
08-29604T-MAN	41-WJ0135-B00	WIRE BARE JUMPER 13.5MM	1	J247	
08-29604T-MAN	41-WJ0135-B00	WIRE BARE JUMPER 13.5MM	1	J248A	
08-29604T-MAN	41-WJ0135-B00	WIRE BARE JUMPER 13.5MM	1	J411	
08-29604T-MAN	41-WJ0135-B00	WIRE BARE JUMPER 13.5MM	1	R228A	
08-29604T-MAN	41-WJ0135-B00	WIRE BARE JUMPER 13.5MM	1	J345	

Parent Item No.	Item No.	Description	Quantity	Designator	Remarks
08-29604T-MAN	41-WJ0140-B00	WIRE BARE JUMPER 14MM	1	J335	
08-29604T-MAN	41-WJ0140-B00	WIRE BARE JUMPER 14MM	1	J336	
08-29604T-MAN	41-WJ0140-B00	WIRE BARE JUMPER 14MM	1	J337	
08-29604T-MAN	41-WJ0140-B00	WIRE BARE JUMPER 14MM	1	J742	
08-29604T-MAN	41-WJ0140-B00	WIRE BARE JUMPER 14MM	1	J321	
08-29604T-MAN	41-WJ0150-B00	WIRE BARE JUMPER 15MM	1	J032	
08-29604T-MAN	41-WJ0150-B00	WIRE BARE JUMPER 15MM	1	J133	
08-29604T-MAN	41-WJ0150-B00	WIRE BARE JUMPER 15MM	1	J153	
08-29604T-MAN	41-WJ0150-B00	WIRE BARE JUMPER 15MM	1	J235	
08-29604T-MAN	41-WJ0150-B00	WIRE BARE JUMPER 15MM	1	J237	
08-29604T-MAN	41-WJ0150-B00	WIRE BARE JUMPER 15MM	1	J243	
08-29604T-MAN	41-WJ0150-B00	WIRE BARE JUMPER 15MM	1	J245	
08-29604T-MAN	41-WJ0150-B00	WIRE BARE JUMPER 15MM	1	J255	
08-29604T-MAN	41-WJ0150-B00	WIRE BARE JUMPER 15MM	1	J262	
08-29604T-MAN	41-WJ0150-B00	WIRE BARE JUMPER 15MM	1	J347	
08-29604T-MAN	41-WJ0150-B00	WIRE BARE JUMPER 15MM	1	J461	
08-29604T-MAN	41-WJ0150-B00	WIRE BARE JUMPER 15MM	1	J542	
08-29604T-MAN	41-WJ0150-B00	WIRE BARE JUMPER 15MM	1	J714	
08-29604T-MAN	41-WJ0150-B00	WIRE BARE JUMPER 15MM	1	J761	
08-29604T-MAN	41-WJ0150-B00	WIRE BARE JUMPER 15MM	1	J782	
08-29604T-MAN	41-WJ0150-B00	WIRE BARE JUMPER 15MM	1	J931	
08-29604T-MAN	41-WJ0160-B00	WIRE BARE JUMPER 16MM	1	J238	
08-29604T-MAN	41-WJ0160-B00	WIRE BARE JUMPER 16MM	1	J325	
08-29604T-MAN	41-WJ0160-B00	WIRE BARE JUMPER 16MM	1	J334	
08-29604T-MAN	41-WJ0160-B00	WIRE BARE JUMPER 16MM	1	J431	
08-29604T-MAN	41-WJ0160-B00	WIRE BARE JUMPER 16MM	1	J645	
08-29604T-MAN	41-WJ0165-B00	WIRE BARE JUMPER 16.5MM	1	J221	
08-29604T-MAN	41-WJ0165-B00	WIRE BARE JUMPER 16.5MM	1	J314	
08-29604T-MAN	41-WJ0165-B00	WIRE BARE JUMPER 16.5MM	1	J234	
08-29604T-MAN	41-WJ0170-B00	WIRE BARE JUMPER 17MM	1	J231	

Parent Item No.	Item No.	Description	Quantity	Designator	Remarks
08-29604T-MAN	41-WJ0170-B00	WIRE BARE JUMPER 17MM	1	J240	
08-29604T-MAN	41-WJ0170-B00	WIRE BARE JUMPER 17MM	1	J835	
08-29604T-MAN	41-WJ0175-B00	WIRE BARE JUMPER 17.5MM	1	J223	
08-29604T-MAN	41-WJ0175-B00	WIRE BARE JUMPER 17.5MM	1	J249A	
08-29604T-MAN	41-WJ0175-B00	WIRE BARE JUMPER 17.5MM	1	J251	
08-29604T-MAN	41-WJ0175-B00	WIRE BARE JUMPER 17.5MM	1	J661	
08-29604T-MAN	41-WJ0175-B00	WIRE BARE JUMPER 17.5MM	1	J811	
08-29604T-MAN	41-WJ0175-B00	WIRE BARE JUMPER 17.5MM	1	J912	
08-29604T-MAN	41-WJ0175-B00	WIRE BARE JUMPER 17.5MM	1	J913	
08-29604T-MAN	41-WJ0180-B00	WIRE BARE JUMPER 18MM	1	J214	
08-29604T-MAN	41-WJ0180-B00	WIRE BARE JUMPER 18MM	1	J623	
08-29604T-MAN	41-WJ0190-B00	WIRE BARE JUMPER 19MM	1	J823	
08-29604T-MAN	41-WJ0195-B00	WIRE BARE JUMPER 19.5MM	1	J323	
08-29604T-MAN	41-WJ0195-B00	WIRE BARE JUMPER 19.5MM	1	J355	
08-29604T-MAN	41-WJ0195-B00	WIRE BARE JUMPER 19.5MM	1	J641	
08-29604T-MAN	41-WJ0195-B00	WIRE BARE JUMPER 19.5MM	1	J731	
08-29604T-MAN	41-WJ0200-B00	WIRE BARE JUMPER 20MM	1	J312	
08-29604T-MAN	41-WJ0200-B00	WIRE BARE JUMPER 20MM	1	J332	
08-29604T-MAN	41-WJ0200-B00	WIRE BARE JUMPER 20MM	1	J427	
08-29604T-MAN	41-WJ0200-B00	WIRE BARE JUMPER 20MM	1	J624	
08-29604T-MAN	41-WJ0200-B00	WIRE BARE JUMPER 20MM	1	J626	
08-29604T-MAN	41-WJ0200-B00	WIRE BARE JUMPER 20MM	1	J727	
08-29604T-MAN	41-WJ0200-B00	WIRE BARE JUMPER 20MM	1	J824	
08-29604T-MAN	41-WJ0200-B00	WIRE BARE JUMPER 20MM	1	J831	
08-29604T-MAN	45-OSC4M4-3Y0	CRYSTAL 4.43MHZ (CL=16pF)	1	X201	
08-29604T-MAN	45-OSC8M0-0Y0	CRYSTAL 8.0MHZ	1	X051	
08-29604T-MAN	45-SAWK33-50K	SAW FILTER K3350K (38.9MHZ)	1	Z141	
08-29604T-MAN	45-TRA5M5-0Y0	CER TRAP TPS 5.5MHZ	1	Z254	
08-29604T-MAN	46-12866W-02X	PIN BASE *2 S11-02Y	1		P601 FOR FRONT CAB. (SPK)
08-29604T-MAN	46-20598W-04X	PIN BASE *4 TJC1-4A	1		P411 FOR DY CONNECT.

Parent Item No.	Item No.	Description	Quantity	Designator	Remarks
08-29604T-MAN	46-20600H-04X	HS 4P A/B 360/13 RBGW TJC1-4Y	1		FOR D. F BD (A1' & A2 & A5 & A6)
08-29604T-MAN	46-27306H-02X	HS 2P24 150/5 F/W TJC3-2Y	1		P1003 "2" TO Q932(B), "3" TO Q931(B)
08-29604T-MAN	46-33079W-02X	PIN BASE *2 TJC3-2A	1		P602 FOR FRONT CAB. (SPK)
08-29604T-MAN	46-33079W-03X	PIN BASE *3 TJC3-3A	1		P401 FOR VM BD P504
08-29604T-MAN	46-33079W-04X	PIN BASE *4 TJC3-4A	1		P202 FOR VM BD P505
08-29604T-MAN	46-33079W-04X	PIN BASE *4 TJC3-4A	1		P421 FOR CRT BD P502
08-29604T-MAN	46-33079W-05X	PIN BASE *5 TJC3-5A	1		P001 FOR F. CTL BD P001B
08-29604T-MAN	46-33079W-05X	PIN BASE *5 TJC3-5A	1		P201 FOR CRT BD P503
08-29604T-MAN	46-33079W-06X	PIN BASE *6 TJC3-6A	1		P002 FOR W. BAL. ADJUST
08-29604T-MAN	46-33079W-06X	PIN BASE *6 TJC3-6A	1		P003 FOR SIDE AV BD
08-29604T-MAN	47-RCA023-XX1	RCA JACK 3PV YEL WHI RED/SW	1	P911	
08-29604T-MAN	47-RCA023-XX1	RCA JACK 3PV YEL WHI RED/SW	1	P931	
08-29604T-MAN	47-SVI002-XX0	Y/C SOCKET VERTICAL TYPE	1	P981	
08-29604T-MAN	54-128700-0X0	FIBRE WASHER 3.3 X 10 X 0.8	2		MTG M. BD & FBT
08-29604T-MAN	62-10654X-00F	UNI-TIE (2.5mmX95mm)	12		
08-29604T-MAN	62-227680-0UA	HOLDER CABLE FOR FBT (2)	1		
08-29604T-MAN	62-354440-0UN	MAIN BD BRACKET	1		
08-29604T-MAN	63-B30100-BT4	S/T SCREW B 3 X 10 BT	2		MTG M. BD & FBT
08-29604T-MAN	63-W30100-AB4	S/T SCREW W 3 X 10 AB	8		MTG M. BD & BKT
08-29604T-MAN	64-P30080-104	M/C SCREW P 3 X 8	1		FOR IC301
08-29604T-MAN	64-P30080-104	M/C SCREW P 3 X 8	1		FOR Q412
08-29604T-MAN	64-P30080-104	M/C SCREW P 3 X 8	1		FOR Q722
08-29604T-MAN	64-P30100-104	M/C SCREW P 3 X 10	2		FOR IC601
08-29604T-MAN	65-Z30050-23M	NUT M 3	2		FOR IC301 & Q412
08-29604T-MAN	65-Z30050-23M	NUT M 3	2		FOR IC601
08-29604T-MAN	66-343730-0B0	HOLLOW RIVET 1.6X3.0XL3.2	5		FOR T461
08-29604T-MAN	66-343740-0B0	HOLLOW RIVET (2.3mmx4.0mmx3.5mm)	2		FOR R404
08-29604T-MAN	67-H27292-1A0	HEAT SINK-REGULATOR & DPC A=60	1		FOR Q722
08-29604T-MAN	67-H30147-1A0	HEAT SINK FOR HORIZ	1		FOR Q412
08-29604T-MAN	67-H30179-5A0	HEAT SINK	1		FOR IC301

Parent Item No.	Item No.	Description	Quantity	Designator	Remarks
08-29604T-MAN	67-H30705-3A0	HEAT SINK	1		FOR IC601
08-29604T-MAN	70-271510-00A	SERVICE CARD	1		FOR PRODUCTION USE
08-29604T-MAN	71-270870-0A9	LABEL	2		
08-29604T-MAN	90-209770-SR1	SILICONE GREASE G-746	0.0009		FOR IC601 & Q412 & Q722
08-29604T-MAN	90-269080-ZU0	CLEAN COATING TC-131L 14KG/桶	0.0001		
08-29604T-MAN	25-BCB100-M1X	CAP. ELEC 10 UF 16V +/-20%	1	C074	
08-29604T-MAN	25-BCB100-M1X	CAP. ELEC 10 UF 16V +/-20%	1	C106	
08-29604T-MAN	25-BCB100-M1X	CAP. ELEC 10 UF 16V +/-20%	1	C214	
08-29604T-MAN	25-BCB100-M1X	CAP. ELEC 10 UF 16V +/-20%	1	C227	
08-29604T-MAN	25-BCB100-M1X	CAP. ELEC 10 UF 16V +/-20%	1	C276	
08-29604T-MAN	25-BCB100-M1X	CAP. ELEC 10 UF 16V +/-20%	1	C651	
08-29604T-MAN	25-BCB100-M1X	CAP. ELEC 10 UF 16V +/-20%	1	C655	
08-29604T-MAN	25-BCB100-M1X	CAP. ELEC 10 UF 16V +/-20%	1	C952	
08-29604T-MAN	25-BCB100-M1X	CAP. ELEC 10 UF 16V +/-20%	1	C278	
08-29604T-MAN	25-BCB101-M1X	CAP. ELEC 100 UF 16V +/-20%	1	C064	
08-29604T-MAN	25-BCB101-M1X	CAP. ELEC 100 UF 16V +/-20%	1	C217	
08-29604T-MAN	25-BCB101-M1X	CAP. ELEC 100 UF 16V +/-20%	1	C228	
08-29604T-MAN	25-BCB101-M1X	CAP. ELEC 100 UF 16V +/-20%	1	C257	
08-29604T-MAN	25-BCB101-M1X	CAP. ELEC 100 UF 16V +/-20%	1	C934	
08-29604T-MAN	25-BCB101-M1X	CAP. ELEC 100 UF 16V +/-20%	1	C944	
08-29604T-MAN	25-BCB101-M1X	CAP. ELEC 100 UF 16V +/-20%	1	C969	
08-29604T-MAN	25-BCB221-M1X	CAP. ELEC 220 UF 16V +/-20%	1	C933	
08-29604T-MAN	25-BCB221-M1X	CAP. ELEC 220 UF 16V +/-20%	1	C634	
08-29604T-MAN	25-BCB470-M1X	CAP. ELEC 47 UF 16V +/-20%	1	C202	
08-29604T-MAN	25-BCB470-M1X	CAP. ELEC 47 UF 16V +/-20%	1	C274	
08-29604T-MAN	25-BCB470-M1X	CAP. ELEC 47 UF 16V +/-20%	1	C911	
08-29604T-MAN	25-BCB470-M1X	CAP. ELEC 47 UF 16V +/-20%	1	C912	
08-29604T-MAN	25-BCB470-M1X	CAP. ELEC 47 UF 16V +/-20%	1	C913	
08-29604T-MAN	25-BCB470-M1X	CAP. ELEC 47 UF 16V +/-20%	1	C921	
08-29604T-MAN	25-BCB470-M1X	CAP. ELEC 47 UF 16V +/-20%	1	C922	

Parent Item No.	Item No.	Description	Quantity	Designator	Remarks
08-29604T-MAN	25-BCB470-M1X	CAP. ELEC 47 UF 16V +/-20%	1	C923	
08-29604T-MAN	25-BCB470-M1X	CAP. ELEC 47 UF 16V +/-20%	1	C931	
08-29604T-MAN	25-BCB470-M1X	CAP. ELEC 47 UF 16V +/-20%	1	C932	
08-29604T-MAN	25-BCB470-M1X	CAP. ELEC 47 UF 16V +/-20%	1	C943	
08-29604T-MAN	25-BCB470-M1X	CAP. ELEC 47 UF 16V +/-20%	1	C981	
08-29604T-MAN	25-BCB470-M1X	CAP. ELEC 47 UF 16V +/-20%	1	C991	
08-29604T-MAN	25-BCB471-M1X	CAP. ELEC 470 UF 16V +/-20%	1	C082	
08-29604T-MAN	25-BEA102-M1X	CAP. ELEC 1000 UF 35V +/-20%	1	C432	
08-29604T-MAN	25-BEA102-M1X	CAP. ELEC 1000 UF 35V +/-20%	1	C610	
08-29604T-MAN	25-BEA221-M1X	CAP. ELEC 220 UF 35V +/-20%	1	C306	
08-29604T-MAN	25-BEA471-M1X	CAP. ELEC 470 UF 35V +/-20%	1	C607	
08-29604T-MAN	25-BEA471-M1X	CAP. ELEC 470 UF 35V +/-20%	1	C608	
08-29604T-MAN	25-BEB101-M1X	CAP. ELEC 100 UF 35V +/-20%	1	C731	
08-29604T-MAN	25-BEG222-M1X	CAP. ELEC 2200 UF 35V +/-20%	1	C303	
08-29604T-MAN	25-BEG222-M1X	CAP. ELEC 2200 UF 35V +/-20%	1	C309	
08-29604T-MAN	25-BFB100-M1X	CAP. ELEC 10 UF 50V +/-20%	1	C311	
08-29604T-MAN	25-BFB100-M1X	CAP. ELEC 10 UF 50V +/-20%	1	C222	
08-29604T-MAN	25-BFB101-M1X	CAP. ELEC 100 UF 50V +/-20%	1	C605	
08-29604T-MAN	25-BFB108-M1X	CAP. ELEC 0.1 UF 50V +/-20%	1	C271	
08-29604T-MAN	25-BFB109-M1X	CAP. ELEC 1 UF 50V +/-20%	1	C206	
08-29604T-MAN	25-BFB109-M1X	CAP. ELEC 1 UF 50V +/-20%	1	C253	
08-29604T-MAN	25-BFB109-M1X	CAP. ELEC 1 UF 50V +/-20%	1	C631	
08-29604T-MAN	25-BFB478-M1X	CAP. ELEC 0.47 UF 50V +/-20%	1	C208	
08-29604T-MAN	25-BFB479-M1X	CAP. ELEC 4.7 UF 50V +/-20%	1	C101	
08-29604T-MAN	25-BFB479-M1X	CAP. ELEC 4.7 UF 50V +/-20%	1	C124	
08-29604T-MAN	34-A109K0-1IX	COIL CHOKE 1 UH +/-10%	1	L121	
08-29604T-MAN	34-A109K0-1IX	COIL CHOKE 1 UH +/-10%	1	L141	
08-29604T-MAN	27-MBC474-J0X	CAP. M. P. E 0.47UF 63V +/-5%	1	C251	
08-29604T-MAN	10-PC574J-DJX	DIODE ZENER UPC 574J	1	D111	
03-29604T-AA3	08-29604T-PAN	ASS'Y - PACKING	1		

Parent Item No.	Item No.	Description	Quantity	Designator	Remarks
08-29604T-PAN	49-341790-BAT	BATT. R6P AA SUM3 5#	2		
08-29604T-PAN	72-29604T-E03	OPERATION MANUAL	1		
08-29604T-PAN	74-022032-6WE	POLYBAG (22cmX32cmX0.06mm)	1		FOR OPERATION MANUAL
08-29604T-PAN	74-130130-80HAA	POLYBAG W/SUFFOCATION WARNING	1		
08-29604T-PAN	75-2960LL-CC1	POLYFOAM "LL"	1		
08-29604T-PAN	75-2960LR-CC1	POLYFOAM "LR"	1		
08-29604T-PAN	75-2960UL-CC1	POLYFOAM "UL"	1		
08-29604T-PAN	75-2960UR-CC1	POLYFOAM "UR"	1		
08-29604T-PAN	76-H2960P-OAT	CARTON BOX	1		
08-29604T-PAN	62-275340-OHD	CARTON BOX HOLDER (3,4)	4		
03-29604T-AA3	08-29604T-RCN	ASS'Y - REAR CABINET	1		
08-29604T-RCN	42-07808G-XX0	SPEAKER 8 OHM 10W	1	SP601	
08-29604T-RCN	42-07808G-XX0	SPEAKER 8 OHM 10W	1	SP602	
08-29604T-RCN	46-27322H-02X	HS 2P24 360/7 F/W SM-2P WH	1		FOR RED TO SP601"+", WHITE TO SP601"-",
08-29604T-RCN	46-27322H-02X	HS 2P24 360/7 F/W SM-2P WH	1		FOR RED TO SP602"+", WHITE TO SP602"-"
08-29604T-RCN	54-114000-00X	FELT TAPE (150mmX19mmX0.3mm)	10		STICK ON REAR CAB.
08-29604T-RCN	54-114000-00X	FELT TAPE (150mmX19mmX0.3mm)	8		STICK ON SPK BKT
08-29604T-RCN	55-2960RC-0AN	REAR CABINET	1		
08-29604T-RCN	58-2960MP-0UI	PLATE MODEL NO.	1		
08-29604T-RCN	58-2960RI-4UI	INLAY REAR AV	1		
08-29604T-RCN	58-2960SI-0UI	INLAY SIDE AV (II)	1		
08-29604T-RCN	58-354450-1UI	INLAY SIDE AV	1		
08-29604T-RCN	59-130460-00X	RUBBER PAD (25mmX7mm)	2		STICK ON FOOTING
08-29604T-RCN	62-360360-OHN	SPEAKER BRACKET	2		MTG TO R. CAB
08-29604T-RCN	63-B40200-AB2	S/T SCREW B 4 X 20 AB	10		MTG FRONT & REAR CAB.
08-29604T-RCN	63-F30100-BT3	S/T SCREW F 3 X 10 BT (BLACK)	2		MTG RCA JACK & REAR CAB.
08-29604T-RCN	63-W30100-AB4	S/T SCREW W 3 X 10 AB	8		MTG SPK & SPK BKT
08-29604T-RCN	63-W30120-BT4	S/T SCREW W 3 X 12 BT	4		MTG SPK BKT & REAR CAB.
03-29604T-AA3	08-29884T-CFN	ASS'Y - COMB FILTER BD	1		
08-29884T-CFN	11-SK2541-0BX	TRANSISTOR 2SK2541 (N-CHANNEL)	1	Q1111	

Parent Item No.	Item No.	Description	Quantity	Designator	Remarks
08-29884T-CFN	11-SK2541-0BX	TRANSISTOR 2SK2541 (N-CHANNEL)	1	Q1112	
08-29884T-CFN	13-0TDA91-81P	IC TDA9181 (COMB FILTER)	1	IC1101	
08-29884T-CFN	18-CB0103-JNX	RES. C. F. 10K OHM 1/6W +/-5%	1	R1112	
08-29884T-CFN	18-CB0472-JNX	RES. C. F. 4.7k OHM 1/6W +/-5%	1	R1111	
08-29884T-CFN	18-CB0472-JNX	RES. C. F. 4.7k OHM 1/6W +/-5%	1	R1115	
08-29884T-CFN	18-CB0512-JNX	RES. C. F. 5.1k OHM 1/6W +/-5%	1	R1113	
08-29884T-CFN	18-CB0820-JNX	RES. C. F. 82 OHM 1/6W +/-5%	1	R1116	
08-29884T-CFN	26-EBP102-KBX	CAP. CER 1000 PF 50V +/-10% B	1	C1123	
08-29884T-CFN	26-EBP103-ZFX	CAP. CER 0.01UF 50V +80/-20% F	1	C1114	
08-29884T-CFN	26-EBP103-ZFX	CAP. CER 0.01UF 50V +80/-20% F	1	C1116	
08-29884T-CFN	26-EBP103-ZFX	CAP. CER 0.01UF 50V +80/-20% F	1	C1117	
08-29884T-CFN	26-EBP103-ZFX	CAP. CER 0.01UF 50V +80/-20% F	1	C1118	
08-29884T-CFN	26-EBP103-ZFX	CAP. CER 0.01UF 50V +80/-20% F	1	C1119	
08-29884T-CFN	26-EBP104-ZFX	CAP. CER 0.1UF 50V +80%/-20%	1	C1112	
08-29884T-CFN	26-EBP150-JZX	CAP. CER 15PF 50V +/-5% SL TUBU	1	C1120	
08-29884T-CFN	26-EBP150-JZX	CAP. CER 15PF 50V +/-5% SL TUBU	1	C1122	
08-29884T-CFN	26-EBP222-KBX	CAP. CER 2200PF 50V +/-10% B	1	C1111	
08-29884T-CFN	34-R100J2-0EX	COIL PL - 10 UH +/-5%	1	L1111	
08-29884T-CFN	34-R100J2-0EX	COIL PL - 10 UH +/-5%	1	L1112	
08-29884T-CFN	40-2900NT-CSB	P. C. B. COMB FILTER & SECAM BD	1		
08-29884T-CFN	41-WJ0060-B00	WIRE BARE JUMPER 6mm	1	J1121	
08-29884T-CFN	41-WJ0065-B00	WIRE BARE JUMPER 6.5MM	1	J1111	
08-29884T-CFN	41-WJ0070-B00	WIRE BARE JUMPER 7MM	1	J1117	
08-29884T-CFN	41-WJ0090-B00	WIRE BARE JUMPER 9MM	1	J1118	
08-29884T-CFN	41-WJ0090-B00	WIRE BARE JUMPER 9MM	1	J1115	
08-29884T-CFN	41-WJ0100-B00	WIRE BARE JUMPER 10MM	1	J1120	
08-29884T-CFN	46-21550W-14X	HEADER *14 TS14B-SQ-1	1	P1111	FOR M. BD P230
08-29884T-CFN	67-257870-1T0	BRACKET IF BD	1		
08-29884T-CFN	67-257870-2T0	BRACKET IF BD	1		
08-29884T-CFN	25-BCB470-M1X	CAP. ELEC 47 UF 16V +/-20%	1	C1113	

Parent Item No.	Item No.	Description	Quantity	Designator	Remarks
08-29884T-CFN	25-BCB470-M1X	CAP. ELEC 47 UF 16V +/-20%	1	C1115	
08-29884T-CFN	25-BFB479-M1X	CAP. ELEC 4.7 UF 50V +/-20%	1	C1121	
03-29604T-AA3	08-HS46F0-M13C	ASS'Y - REMOTE HANDSET	1		
08-HS46F0-M13C	10-1N4148-ABX	DIODE 1N4148 (SWITCHING)	1	D1502	
08-HS46F0-M13C	10-1N4148-ABX	DIODE 1N4148 (SWITCHING)	1	D1503	
08-HS46F0-M13C	10-1N4148-ABX	DIODE 1N4148 (SWITCHING)	1	D1504	
08-HS46F0-M13C	10-1N4148-ABX	DIODE 1N4148 (SWITCHING)	1	D1505	
08-HS46F0-M13C	10-1N4148-ABX	DIODE 1N4148 (SWITCHING)	1	D1507	
08-HS46F0-M13C	11-0BC337-OBX	TRANSISTOR (NPN) BC337-40	1	Q1501	
08-HS46F0-M13C	14-IRE05B-XX0	IR EMITTING DIODE BT-7085N-30	1	D1501	
08-HS46F0-M13C	18-CB0229-JNX	RES. C.F. 2.2 OHM 1/6W +/-5%	1	R1502	
08-HS46F0-M13C	18-CB0682-JNX	RES. C.F. 6.8K OHM 1/6W +/-5%	1	R1501	
08-HS46F0-M13C	26-EBP101-JCX	CAP. CER 100PF 50V +/-5% CH	1	C1501	
08-HS46F0-M13C	26-EBP101-JCX	CAP. CER 100PF 50V +/-5% CH	1	C1502	
08-HS46F0-M13C	40-2909NT-RMB	P. C. B. REMOTE HANDSET	1		
08-HS46F0-M13C	45-COS455-KY0	CERAMIC RESONATOR 455KHZ	1	X1501	
08-HS46F0-M13C	49-HS46F0-00X	RUBBER PAD KEYS	1		
08-HS46F0-M13C	55-HS46FB-0HA	CASE LOWER - REMOTE HANDSET	1		
08-HS46F0-M13C	55-HS46FD-0HA	DOOR BATT. - REMOTE HANDSET	1		
08-HS46F0-M13C	55-HS46FT-0HA	CASE UPPER - REMOTE HANDSET	1		
08-HS46F0-M13C	58-HS46F2-MUI	INLAY REMOTE HANDSET	1		
08-HS46F0-M13C	63-B26060-BT2	S/T SCREW B 2.6 X 6 BT	1		
08-HS46F0-M13C	67-26968X-0E2	BATT. TERMINAL (+/-)	1		
08-HS46F0-M13C	67-310280-0E2	SPRING - BATTERY (-)	1		
08-HS46F0-M13C	67-310290-0E2	SPRING - BATTERY (+)	1		
08-HS46F0-M13C	74-009022-60C	POLYBAG HANDSET (9CMX22CM)	1		
08-HS46F0-M13C	25-HBB470-M1X	CAP. ELEC 47UF 10V +/-20%	1	C1503	
08-HS46F0-M13C	13-SC9028-23B	IC SC9028-023	1	IC1501	

TB1240 + TCLM13 chassis alignment instruction

Enter factory mode in production line

Simply press the D-mode key on the factory remote handset.

Enter service mode

Press and hold the VOLUME DOWN key tightly on the unit until minimum level and don't release the VOLUMN DOWN key, then press the DISPLAY key on the remote handset three times.

"D" letter on the screen indicated that the factory mode was entered. Now you can use the shortcut key to access the factory menu. All change in factory data will save in EEPROM automatically

Note:

1. You can disable the D-Mode key (on factory remote handset) by change "BIT-0" of "MODE2" to "0". If the D-Mode key was disabled, you can't enter D-Mode by the D-mode key on the factory remote (but you can still enter service mode). It is suggested to disable the D-Mode key before the set leave the factory.
2. On the factory remote handset, you can find the "BUS OFF" key. It can cut off the I²C control from the CPU to other IC. This is only useful when automatic adjustment of white balance.
3. All system data in menu of "key 7" must keep unchanged when servicing. Otherwise, the set may not work properly.

Setting method:

No	Adjustment Items	Data Name (default value inside blanket)	Conditions and input signal	Setting method (need enter D-mode)
1	Screen voltage	-----	"IRGB cut off" must set to 80 (all pattern)	<ul style="list-style-type: none"> ● Press "MUTE" key on the remote handset and the screen will become a horizontal line. Then adjust the "screen" VR on the flyback until the horizontal line can just be seen (minimum visible intensity).
2	Focus voltage	-----	Cross hatch pattern.	<ul style="list-style-type: none"> ● Adjust the "focus" VR on the flyback until the screen becomes clear.
3	VCO	-----	Apply an IF signal (see tuner spec. For frequency) to the IF input.	<ul style="list-style-type: none"> ● Monitor the DC voltage at pin 48 of IC201, then adjust T271 until the voltage at pin 48 become 4.62 +/- 0.02 V. ● Press the AFT button on the factory remote and AFT adjustment will be done automatically.

4	Vertical geometry for PAL system (Key 2)	VPOS50 (04) HIGH50 (25) VLIN50 (04) VSC50 (05) OSD50 (20)	Input a PAL cross hatch pattern.	<ul style="list-style-type: none"> ● Adjust VPOS50 for vertical position. ● Adjust HIGH50 for vertical amplitude. ● Adjust VLIN50 for vertical linearity. ● Adjust VSC50 for vertical S-correction ● Adjust OSD50 for OSD position (normally use default value).
5	Vertical geometry for NTSC system (Key 3)	VPOS60 (00) HIGH60 (2E) VLIN60 (05) VSC60 (0A) OSD60 (89)	Input a NTSC cross hatch pattern.	<ul style="list-style-type: none"> ● Adjust VPOS60 for vertical position. ● Adjust HIGH60 for vertical amplitude. ● Adjust VLIN60 for vertical linearity. ● Adjust VSC60 for vertical S-correction ● Adjust OSD60 for OSD position (normally use default value).
6	Horizontal geometry for PAL system (Key 4)	HPOS50 (0D) HSIZE50 (2A) PARA50 (14) TRAP50 (0E) CORN50 (0A) VEHT50 (03) HEHT50 (02)	Input a PAL cross hatch pattern with black and white background.	<ul style="list-style-type: none"> ● Adjust HPOS50 for horizontal position. ● Adjust HSIZE50 for horizontal width. ● Adjust PARA50, TRAP50 and CORN50 until the vertical line at left and right side of the picture become straight. ● VEHT and HENT is for the picture size stability when changing the brightness of the screen. Receive pattern of cross hatch with black background and then change to white background, then compare the vertical and horizontal size between black and white background. Adjust VEHT and HEHT until you get the minimum difference of screen size. After you adjust VEHT and HEHT, you must re-adjust vertical and horizontal amplitude.
7	Horizontal geometry for NTSC system (Key 5)	HPOS60 (11) HSIZE60 (2A) PARA60 (18) TRAP60 (0D) CORN60 (0D) VEHT60 (03) HEHT60 (02)	Input a NTSC cross hatch pattern with black and white background.	<ul style="list-style-type: none"> ● Adjust HPOS60 for horizontal position. ● Adjust HSIZE60 for horizontal width. ● Adjust PARA60, TRAP60 and CORN60 until the vertical line at left and right side of the picture become straight. ● Adjust VEHT and HEHT using same method of PAL system. Also need re-adjustment of vertical and horizontal amplitude.
1 2	Key 6 (Status adjustment)	RFAGC (25) PIFAFT (44) HAFC (00) S-B-Y (08) S-R-Y (08) VOL 05 (48) VOL 25 (65) VOL OUT(73)	Receive a 60dB grey scale + color bar signal	<ul style="list-style-type: none"> ● RFAGC – monitor the voltage at AGC pin of the tuner. Then increase the setting of RFAGC until the tuner AGC voltage reach maximum (about 5V). Then decrease the RFAGC setting until the AGC voltage just drop. ● Adjust S-B-Y and S-R-Y to get the optimal color for SECAM system. ● Please keep the PIFAFT value after auto AFT adjustment. ● HAFC item must use the default value.

	(curve of volume control)		-----	<ul style="list-style-type: none"> ● VOL05 is the volume output level at 5% ● VOL25 is the volume output level at 25% <p>Remark: The value of VOL05 and VOL25 was not suggested to vary in every set. It is suggested to use the default value.</p>
13	White balance adjustment (key 1)	R CUT (6B) G CUT (9E) B CUT (7C) G DRV (39) B DRV (35)	Black and white pattern (PAL)	<ol style="list-style-type: none"> 1. Measure the dark side of the picture with a color analyzer and set RCUT to 80. Then adjust BCUT and GCUT until the data on the analyzer become x = 284, y = 299. 2. Measure the bright side of the picture, Then adjust BDRV and GDRV until the data on the analyzer become x = 284, y = 299. 3. Repeat step 1 and 2 until you get right color on both dark and bright side of the screen.

Other adjustment (default value was suggested, except BRTC)

8	Key 0	OSD (0A) TXCX (30) RGCN (20) TNTX (25) TNTN (32) FM MODE (13) DKFMMD (20)	-----	<p>OSD – OSD position TXCX – OSD intensity when maximum contrast RGCN – OSD intensity when minimum contrast TNTX – maximum tint level TNTN – minimum tint level FM MODE – frequency shift for FM (mono) mode, only useful for NICAM model DKFMMD - frequency shift for DK NICAM mode</p>
9	Key 8	SCNT (0F) CNTX (3F) CNTN (00) BRTX (20) BRTN (25) COLX (35) COLN (00)	-----	<p>SCNT – sub contrast for luminance signal CNTX – maximum contrast CNTN – minimum contrast BRTX – maximum brightness BRTN – minimum brightness COLX – maximum color COLN – minimum color</p>
10	Key 9	CNTC (22) BRTC (37) COLC (50) TNTC (35) COLP (00) COLS (54) BRTS (00)	-----	<p>CNTC – 50% contrast BRTC – 50% brightness COLC – 50% color TNTC – 50% tint COLP – color level for PAL COLS – color level for SECAM BRTS – sub brightness for SECAM</p> <ul style="list-style-type: none"> ● For the adjustment of BRTC, receive an 8 step grey scale pattern and adjust all picture settings to 50%. Then adjust BRTC until the first and second step on the screen can just be distinguished.

11	Two digit key -/-- (sharpness adjustment)	SHPTV3 (1A) SHPAV3 (1A) SHPTV4 (18) SHPAV4 (18) SHPX (1A) SHPN (1F)	-----	SHPTV3 – 50% sharpness in 3.58 system (TV) SHPAV3 – 50% sharpness in 3.58 system (AV) SHPTV4 – 50% sharpness in 4.43 system (TV) SHPAV4 – 50% sharpness in 4.43 system (AV) SHPX – maximum sharpness SHPN – minimum sharpness
13	KEY CALL	DBE STR 50 DBE HMC 0D DBE HP 07 DBE LP 00 DBE LIM FO SUB FRE 15 SUB HP 02 VOLMAI 03	Richly Music Signal	Effect Strength Harmonic Content High Pass Corner Frequency Low Pass Corner Frequency Amplitude Limit Subwoofer Corner Frequency Subwoofer Complementary High Pass Filter Volume Loudspeaker

System data:

	Item	Adjust item	Default value
12	Key 7	VCDM0 VCDM1 VCDM2 MODE0 MODE1 MODE2 OPTION	It is subject to the current ODF. Please check the sample to get the value.

System setting of M13

VCDM0 (default value: 28)

BIT	Item
0	System switch: 0 : normal identify mode 1 : weak signal identify mode
1	White peak suppress: 0: on 1: off
2,3	ABL gain 00: -0.74v 01: -0.64v 10: -0.37v 11: -0.12v
4,5	ABL start point 00: -0.01v 01: -0.11v 10: -0.3v 11: -0.45v
6	CW-SW: TB1238N, pin 29 Fsc CW output 0 : AUTO, 1 : 4.43M
7	In force system mode, the status of color killer when weak signal 0: on 1: off

VCDM1 (default value: 00)

BIT	Item
0	Blanking: 0: on 1: off
1,2,3,4,5	V-Mute timing: = 200ms + 8ms ×Data
6	Base band filter in NTSC system: 0: on, 1: off
7	VMOD

VCDM2 (default value: 40 for 38MHz IF, 30 for 38.9MHz IF)

BIT	Item
0	AFT-mute: 0: off, 1: on (brightness off)
1	SECAM-ADJ: 0: SECAM correction off, 1: SECAM correction on
2	TB1238N_VMOD
3	PIF VCO ADJ
6,5,4	IF frequency: 111: 33.9MHz 110: 33.95MHz 101: 34.47MHz 100: 38MHz 011: 38.9MHz 010: 39.5MHz 001: 45.75MHz 000: 58.75MHz
7	No use

MODE0

BIT	Item
0	0: normal AV 1: SCART (CATV)
1	SRS: 0: OFF 1: ON
2	SECAM system: 0: off, 1: on
3	High Sensibility: 0: off 1: on
4, 5	STANDBY status after switch on : 00 or 10: force STANDBY 01: force on. 11: status before switch off
6,7	Mode0.6, Mode0.7: 0X: English 10: English + Russia 11: English + Vietnamese

MODE1

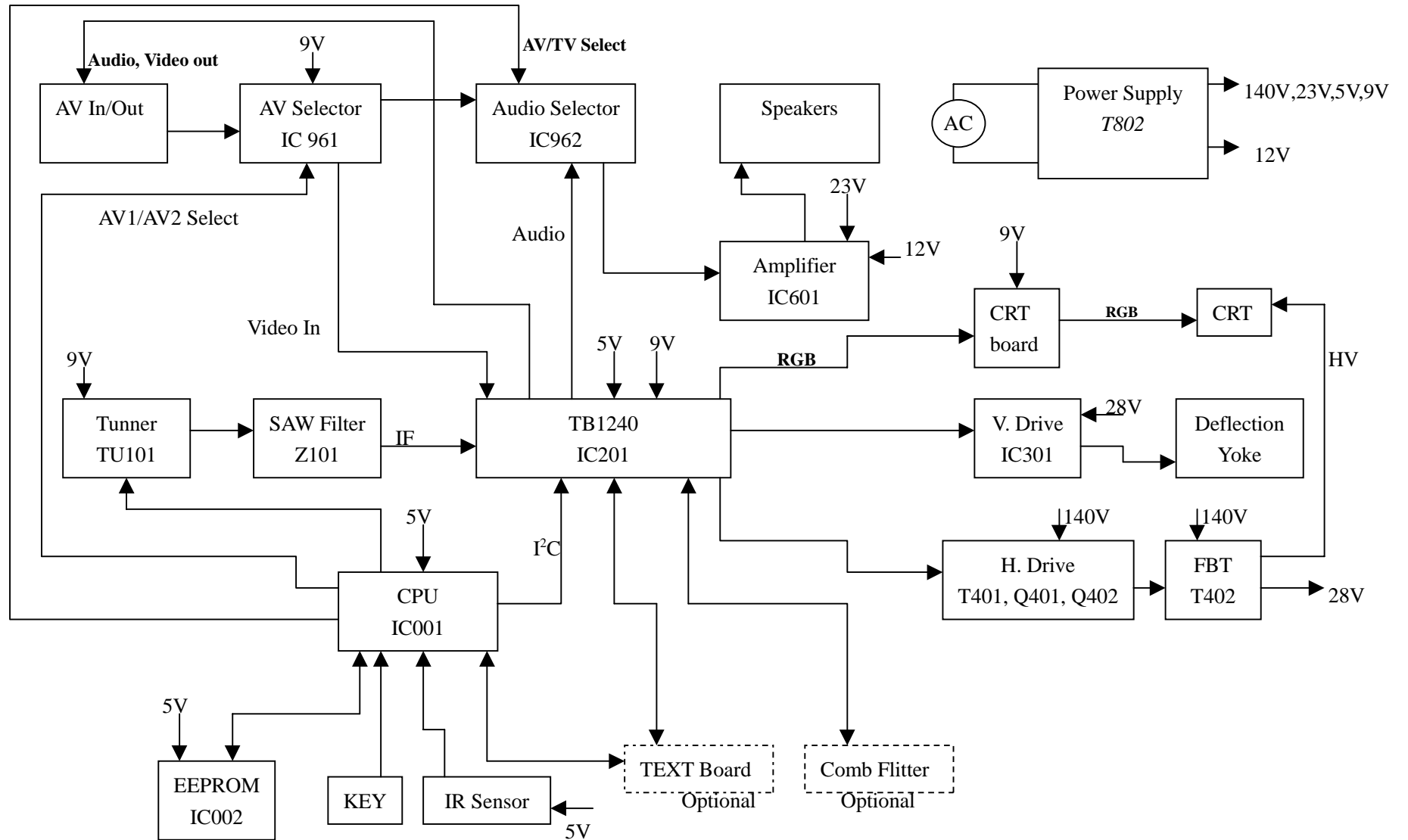
BIT	Item
0	BG : 0 : off 1 : on
1	I : 0 : off 1 : on
2	DK : 0 : off 1 : on
3	M : 0 : off 1 : on
4, 5	SSIF1, SSIFO Default sound system after auto search: 00 : BG 01 : I 10 : DK 11 : M
6	AV/TV: 0: TV/AV 1: TV AV1/AV2
7	Number of channels: 0: 50 1: 100

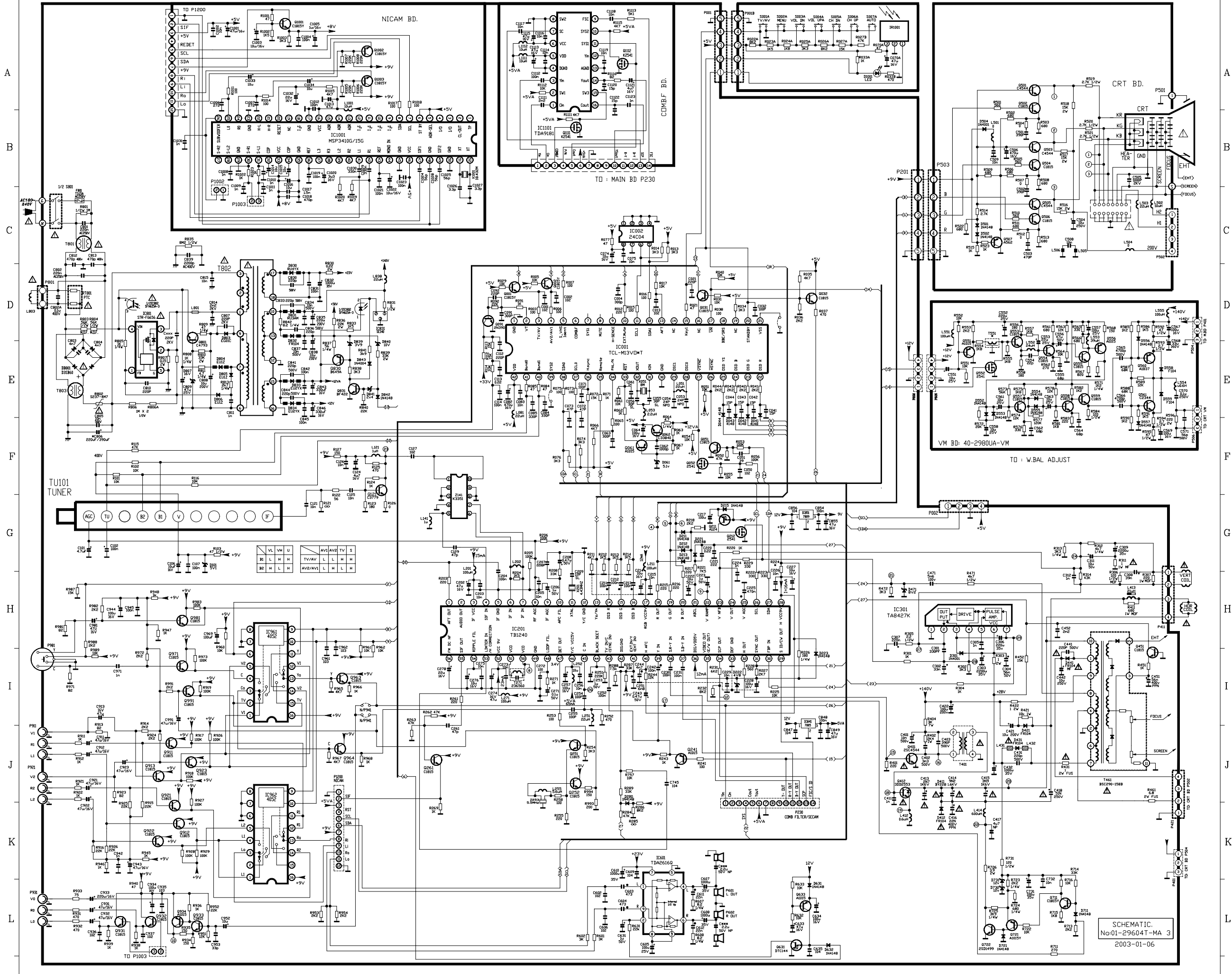
MODE2

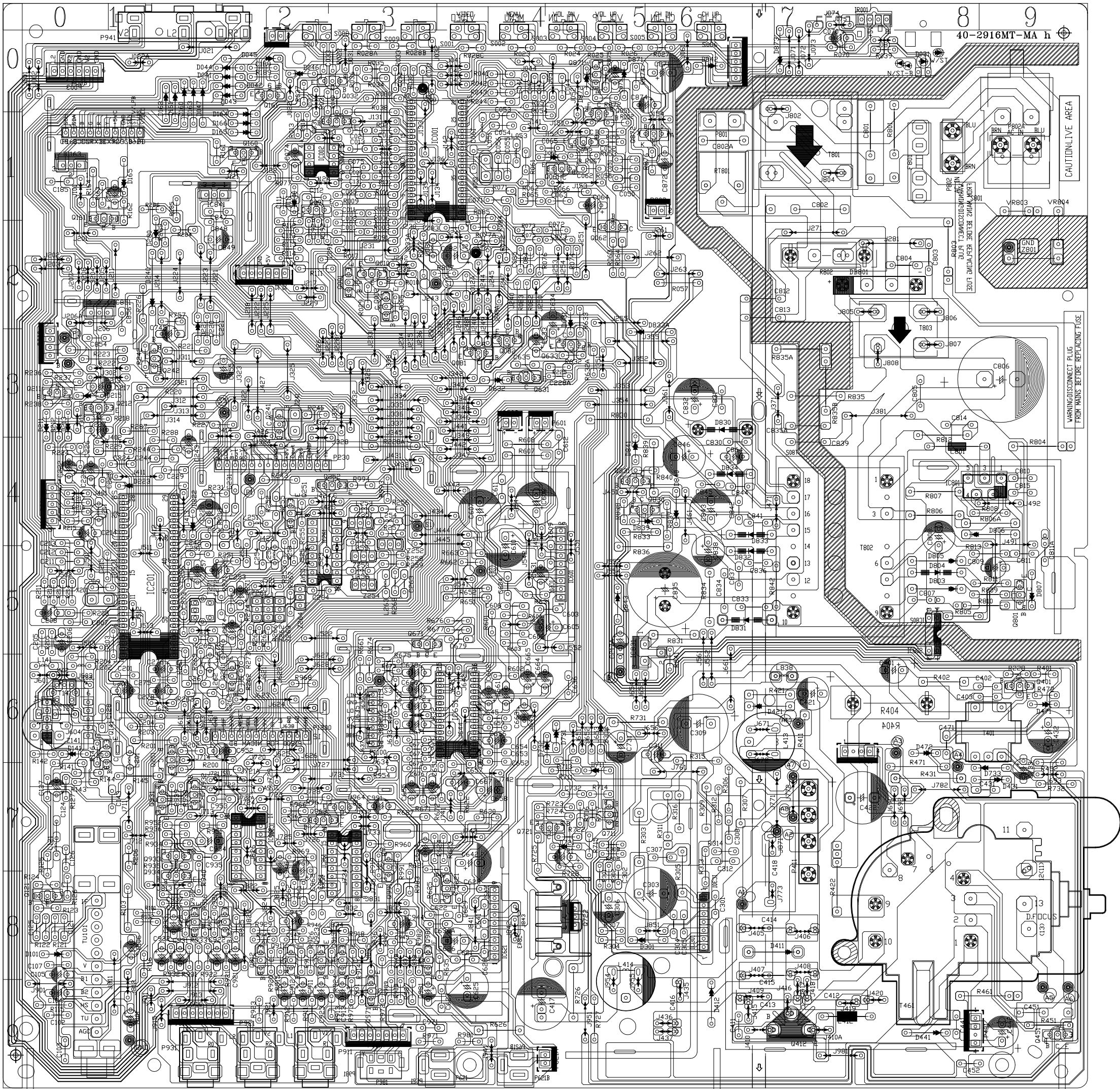
BIT	Item
0	D-MODE : 0: off 1: on
1	Teletext 0: off 1: on
2	COMB Filter 0: off 1: on
3	BBE 0: off 1: on
4	NICAM & IGR 0: off 1: on
5	WOOFER 0: off 1: on
6	DBE 0: off 1: on
7	VM 0: off 1: on

OPTION (default value: 10)

BIT	Item	
0	When blue background off (mute pin of CPU): 0: audio mute on 1: audio mute off	
1	When blue background off (external mute pin of CPU): 0: audio mute on 1: audio mute off	
2	When change channel: 0: picture mute on 1: picture mute off	
3	Audio demodulation gain setting: 0: 50KHz 1: 25KHz	
4	When no signal: 0: search channel by changing VT 1: use memorized VT	
5	Logo: 0: off 1: on	
6	OSD black background: 0: off 1: on	
7	Display on Sound Mode Changing: 0: on 1: off	







40-2916MT-MA h

CAUTION LIVE AREA

WARNING! DISCONNECT PLUG FROM MAINS BEFORE REPLACING FUSE

11

